

Parts Catalogue

for model
THS 122 Hydro

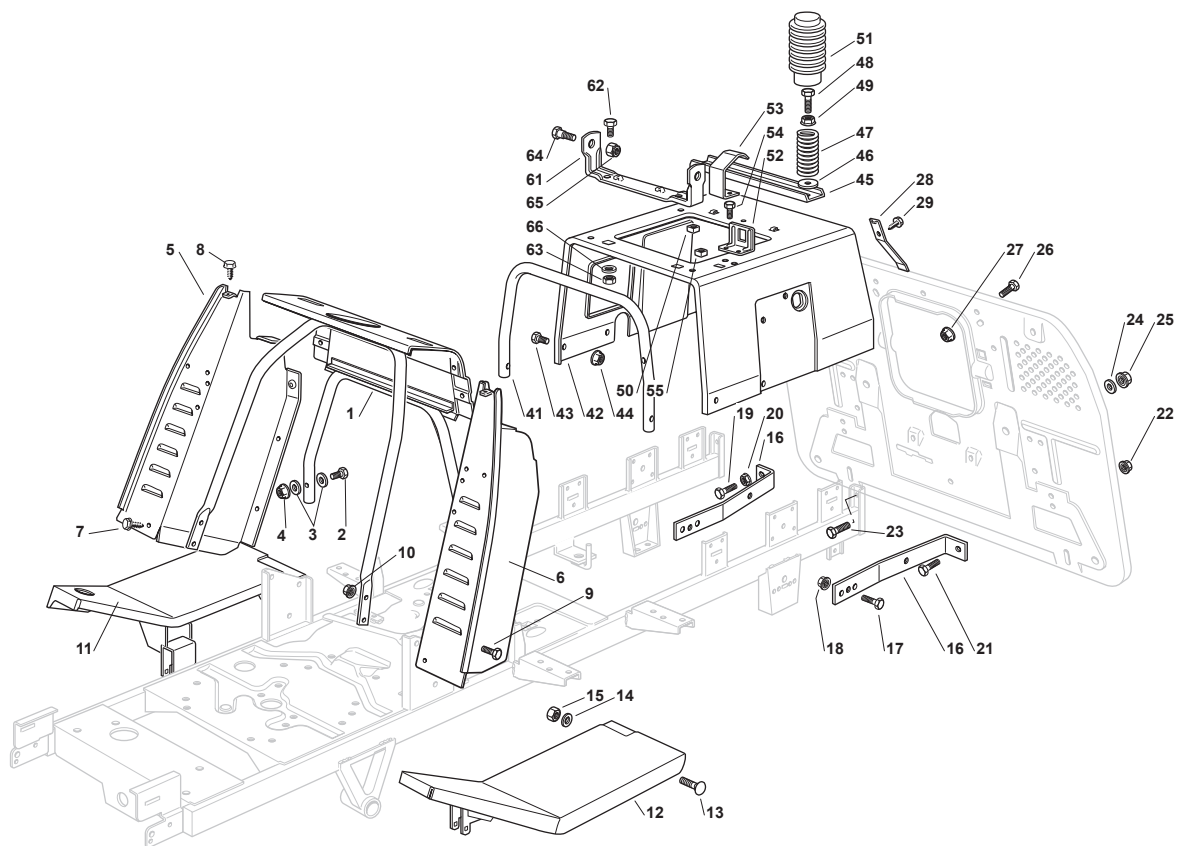
- Use GLOBAL GARDEN PRODUCT Genuine Spare Parts specified in the parts list for repair and/or replacement.
- The contents described in the parts list may change due to improvement.
- The drawings of the spare parts are only indicative and might not represent the part in question exactly.
- The indications "right" - "left" - "front" - "rear" refer to the position of the operator when using the machine.
- When placing orders of parts for repair and/or replacement, make sure that the illustrated parts list is the one applying to the machine's year of manufacture, as shown on the identification plate attached to the machine.

© Copyright 2015 Global Garden Products

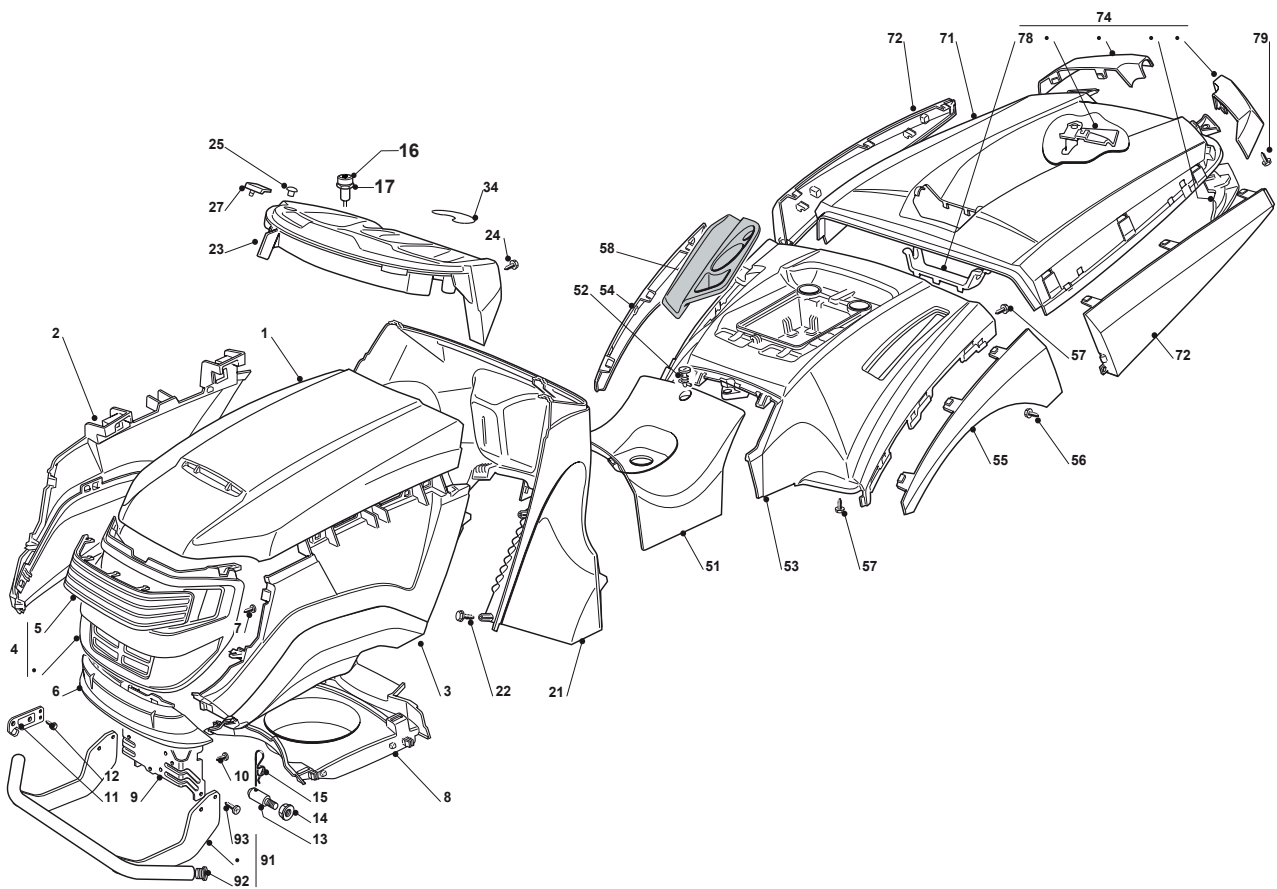
All content is subject to copyright by Global Garden Products and may not be reproduced in whole or in part by any means, electronic or otherwise, without prior written approval.

THIS INFORMATION IS NOT INTENDED FOR SALE OR RESALE, AND THIS NOTICE MUST REMAIN ON ALL COPIES.

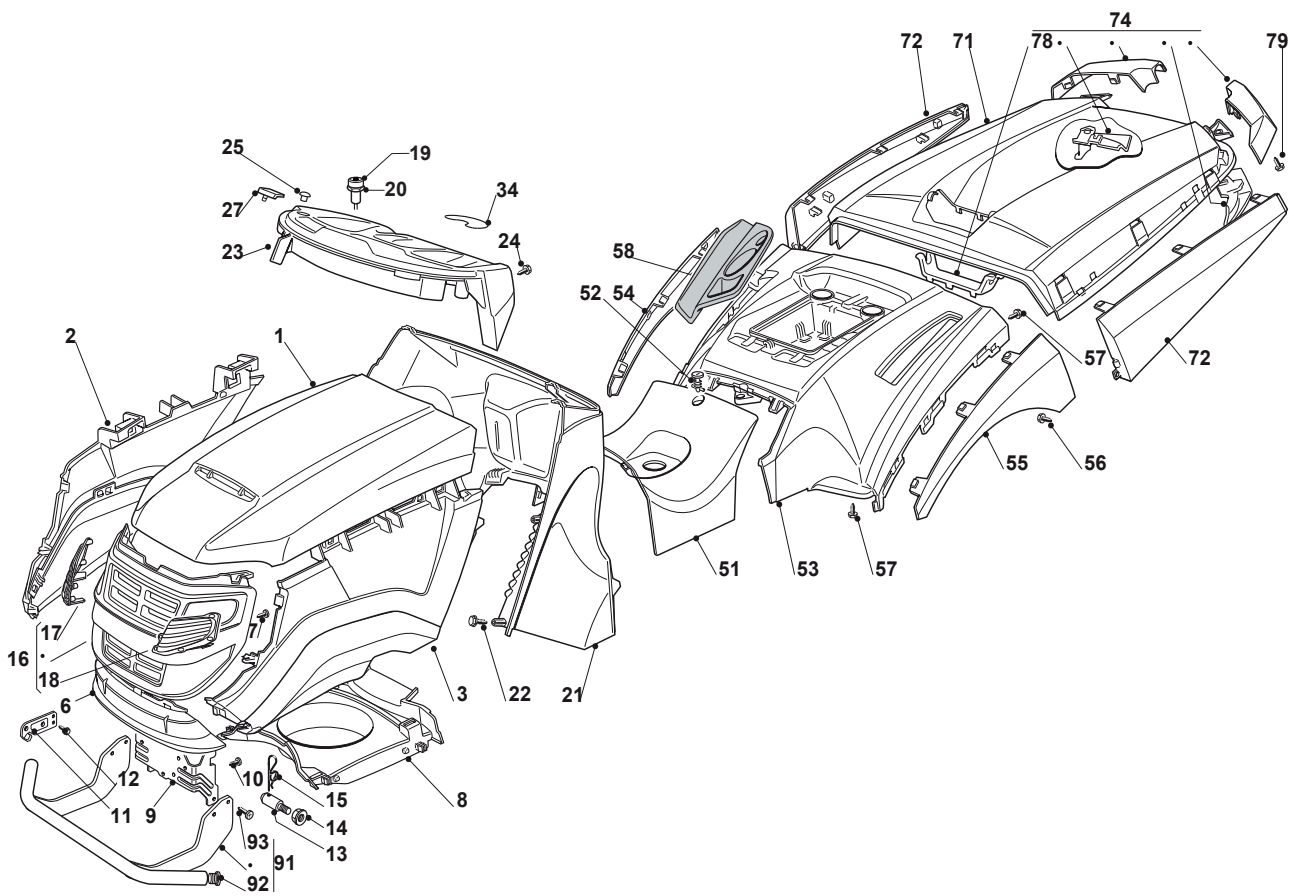




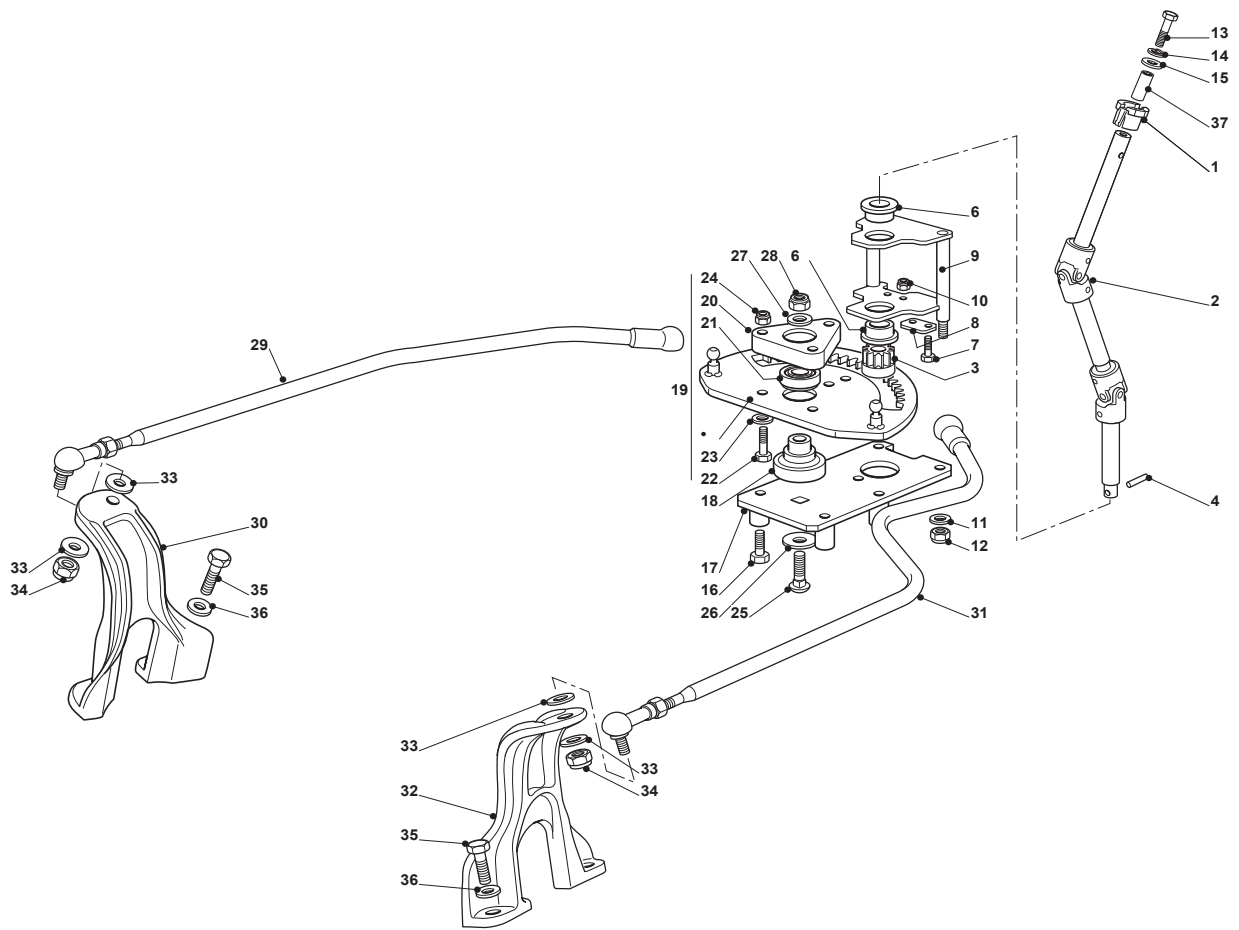
| Fig. | Q.ty | Part No | Description | Notes |
|------|------|-------------|-------------------------|-------|
| 1 | 1 | 382785247/1 | Stiffening | |
| 2 | 2 | 112674550/0 | Screw | |
| 3 | 4 | 112523040/0 | Washer | |
| 4 | 2 | 112292102/0 | Nut | |
| 5 | 1 | 382785022/9 | Right Dashboard Support | |
| 6 | 1 | 382785021/8 | Left Dashboard Support | |
| 7 | 2 | 112735110/0 | Screw | |
| 8 | 2 | 112735110/0 | Screw | |
| 9 | 6 | 112791400/0 | Screw | |
| 10 | 6 | 112292102/0 | Nut | |
| 11 | 1 | 325500046/0 | Right Footboard | |
| 12 | 1 | 325500047/0 | Left Footboard | |
| 13 | 4 | 112728689/0 | Screw | |
| 14 | 4 | 112523040/0 | Washer | |
| 15 | 4 | 112523030/0 | Washer | |
| 16 | 2 | 325774273/1 | Stiffening | |
| 17 | 2 | 112793102/0 | Screw | |
| 18 | 2 | 112293201/0 | Nut | |
| 19 | 1 | 112691100/0 | Screw | |
| 20 | 1 | 112293200/0 | Nut | |
| 21 | 1 | 112792611/0 | Screw | |
| 22 | 2 | 112293201/0 | Nut | |
| 23 | 2 | 112794300/0 | Screw | |
| 24 | 2 | 112521360/0 | Washer | |
| 25 | 2 | 112156602/0 | Nut | |
| 26 | 5 | 112791011/0 | Screw | |
| 27 | 5 | 112292102/0 | Nut | |
| 28 | 1 | 125430238/1 | Spring | |
| 29 | 1 | 112731580/0 | Screw | |
| 41 | 1 | 325869085/0 | Stiffening | |
| 42 | 1 | 325785133/5 | Seat Support | |
| 43 | 8 | 112791011/0 | Screw | |
| 44 | 8 | 112292102/0 | Nut | |
| 45 | 1 | 325650067/0 | Stiffening | |
| 46 | 2 | 112523070/0 | Washer | |
| 47 | 2 | 125430205/1 | Spring | |
| 48 | 2 | 125943001/1 | Screw | |
| 49 | 2 | 112293201/0 | Nut | |
| 50 | 2 | 112360420/0 | Nut | |
| 51 | 2 | 325737002/0 | Hood | |
| 52 | 1 | 325755025/2 | Bracket | |
| 53 | 1 | 325430255/0 | Spring | |
| 54 | 2 | 112735110/0 | Screw | |
| 55 | 2 | 112437502/0 | Plate | |
| 61 | 1 | 382774207/0 | Seat Clamp Support | |
| 62 | 2 | 112691115/0 | Screw | |
| 63 | 2 | 112155000/0 | Nut | |
| 64 | 2 | 122524970/2 | Fulcrum Pin | |
| 65 | 2 | 112155010/0 | Nut | |
| 66 | 2 | 112523070/0 | Washer | |



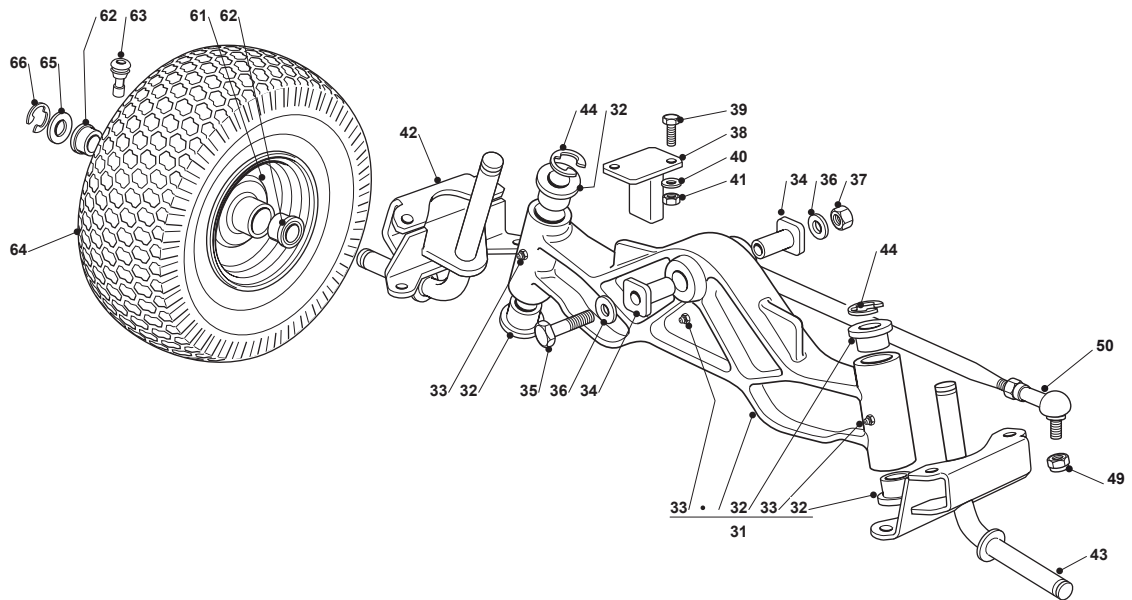
| Fig. | Q.ty | Part No | Description | Notes |
|------|------|-------------|--------------------------------------|-------|
| 1 | 1 | 325076871/0 | Upper Engine Hood Red | |
| 2 | 1 | 382394620/0 | Hood, Right | |
| 3 | 1 | 382394621/0 | Hood, Left | |
| 4 | 1 | 382394618/0 | Hood, Front | |
| 5 | 1 | 325410878/0 | Grill | |
| 6 | 1 | 325076877/0 | Lower Red Hood, Front | |
| 7 | 6 | 112735403/0 | Screw | |
| 8 | 1 | 325108031/0 | Conveyor | |
| 9 | 1 | 325774301/2 | Engine Hood Support | |
| 10 | 5 | 112735403/0 | Screw | |
| 11 | 2 | 325547159/1 | Plate | |
| 12 | 4 | 112731580/0 | Screw | |
| 13 | 2 | 125510079/1 | Pin | |
| 14 | 2 | 112293201/0 | Nut | |
| 15 | 1 | 124487998/0 | Cotter Pin | |
| 16 | 1 | 325605003/0 | Button | |
| 17 | 1 | 325256250/0 | Screw Ring | |
| 21 | 1 | 325785228/1 | Dashboard Support | |
| 22 | 7 | 112735403/0 | Screw | |
| 23 | 1 | 325120250/0 | Dashboard, Red (No Cruise Control) | |
| 23 | 1 | 325120251/0 | Dashboard, Red (Cruise Control) | |
| 23 | 1 | 325120255/0 | Dashboard, Black (No Cruise Control) | |
| 23 | 1 | 325120256/0 | Dashboard, Black (Cruise Control) | |
| 24 | 4 | 112728440/0 | Screw | |
| 25 | 2 | 125120200/0 | Cap | |
| 27 | 2 | 125260000/0 | Grommet | |
| 34 | 1 | 325207185/0 | Cover | |
| 51 | 1 | 325110386/0 | Red Central Cover | |
| 52 | 1 | 125580020/2 | Stake | |
| 53 | 1 | 325109744/0 | Red Wheels Cover | |
| 54 | 1 | 325109753/0 | Right Wheel Cover | |
| 55 | 1 | 325109752/0 | Left Wheel Cover | |
| 56 | 2 | 112728686/0 | Screw | |
| 57 | 4 | 112735402/0 | Screw | |
| 58 | 1 | 325207184/0 | Cover | |
| 71 | 1 | 325110302/0 | Red Grass-Catcher Cover | |
| 72 | 1 | 382110255/0 | Cover Assy | |
| 74 | 1 | 382110259/0 | Angles Assy | |
| 78 | 1 | 325394009/0 | Handle Cover | |
| 79 | 4 | 112735403/0 | Screw | |
| 91 | 1 | 382869039/0 | Muffler Protection | |
| 92 | 2 | 118737860/0 | Cap | |
| 93 | 4 | 112734995/0 | Screw | |



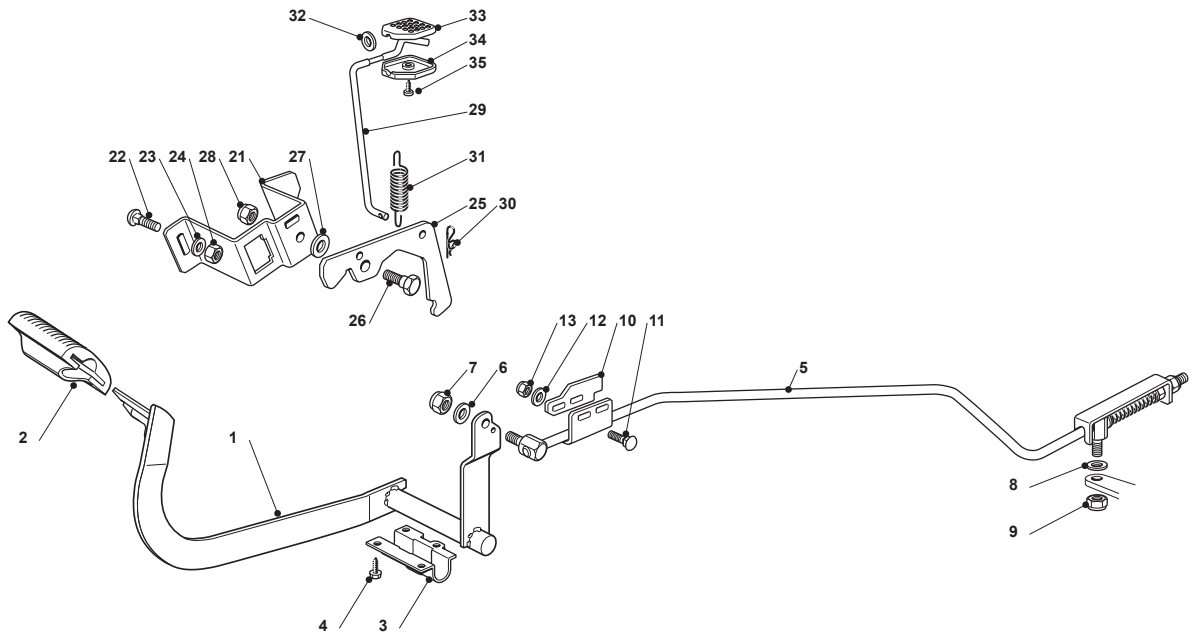
| Fig. | Q.ty | Part No | Description | Notes |
|------|------|-------------|--------------------------------------|-------|
| 1 | 1 | 325076871/0 | Upper Engine Hood Red | |
| 2 | 1 | 382394620/0 | Hood, Right | |
| 3 | 1 | 382394621/0 | Hood, Left | |
| 6 | 1 | 325076877/0 | Lower Red Hood, Front | |
| 7 | 6 | 112735403/0 | Screw | |
| 8 | 1 | 325108031/0 | Conveyor | |
| 9 | 1 | 325774301/2 | Engine Hood Support | |
| 10 | 5 | 112735403/0 | Screw | |
| 11 | 2 | 325547159/1 | Plate | |
| 12 | 4 | 112731580/0 | Screw | |
| 13 | 2 | 125510079/1 | Pin | |
| 14 | 2 | 112293201/0 | Nut | |
| 15 | 1 | 124487998/0 | Cotter Pin | |
| 16 | 1 | 382394628/0 | Hood, Front | |
| 17 | 1 | 325410881/0 | Right Grill | |
| 18 | 1 | 325410882/0 | Left Grill | |
| 19 | 1 | 325605003/0 | Button | |
| 20 | 1 | 325256250/0 | Screw Ring | |
| 21 | 1 | 325785228/1 | Dashboard Support | |
| 22 | 7 | 112735403/0 | Screw | |
| 23 | 1 | 325120250/0 | Dashboard, Red (No Cruise Control) | |
| 23 | 1 | 325120251/0 | Dashboard, Red (Cruise Control) | |
| 23 | 1 | 325120255/0 | Dashboard, Black (No Cruise Control) | |
| 23 | 1 | 325120256/0 | Dashboard, Black (Cruise Control) | |
| 24 | 4 | 112728440/0 | Screw | |
| 25 | 2 | 125120200/0 | Cap | |
| 27 | 2 | 125260000/0 | Grommet | |
| 34 | 1 | 325207185/0 | Cover | |
| 51 | 1 | 325110386/0 | Red Central Cover | |
| 52 | 1 | 125580020/2 | Stake | |
| 53 | 1 | 325109744/0 | Red Wheels Cover | |
| 54 | 1 | 325109753/0 | Right Wheel Cover | |
| 55 | 1 | 325109752/0 | Left Wheel Cover | |
| 56 | 2 | 112728686/0 | Screw | |
| 57 | 4 | 112735402/0 | Screw | |
| 58 | 1 | 325207184/0 | Cover | |
| 71 | 1 | 325110302/0 | Red Grass-Catcher Cover | |
| 72 | 1 | 382110255/0 | Cover Assy | |
| 74 | 1 | 382110259/0 | Angles Assy | |
| 78 | 1 | 325394009/0 | Handle Cover | |
| 79 | 4 | 112735403/0 | Screw | |
| 91 | 1 | 382869039/0 | Muffler Protection | |
| 92 | 2 | 118737860/0 | Cap | |
| 93 | 4 | 112734995/0 | Screw | |



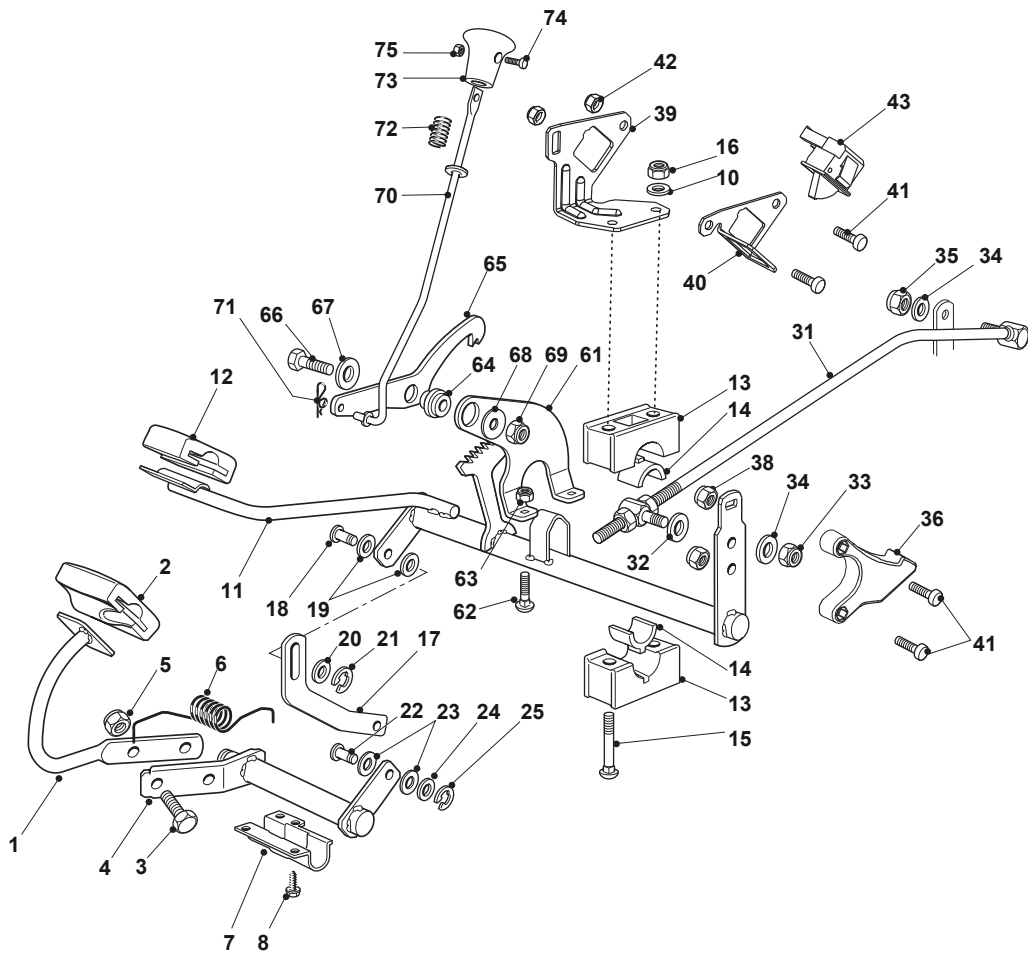
| Fig. | Q.ty | Part No | Description | Notes |
|------|------|-------------|-----------------|-------|
| 1 | 2 | 325038004/0 | Bushing | |
| 2 | 1 | 382543052/0 | Steering Column | |
| 2 | 1 | 382543053/0 | Steering Column | |
| 3 | 1 | 125570006/1 | Pinion | |
| 4 | 1 | 112622650/0 | Dowel pin | |
| 6 | 2 | 325038004/0 | Bushing | |
| 7 | 2 | 112788910/0 | Screw | |
| 8 | 1 | 325487000/0 | Plate | |
| 9 | 1 | 382785209/0 | Support | |
| 10 | 2 | 112154330/0 | Nut | |
| 11 | 2 | 112521360/0 | Washer | |
| 12 | 2 | 112156602/0 | Nut | |
| 13 | 1 | 112691800/0 | Screw | |
| 14 | 1 | 112583500/0 | Grower | |
| 15 | 1 | 112523060/0 | Washer | |
| 16 | 4 | 112735108/1 | Screw | |
| 17 | 1 | 382785207/0 | Support | |
| 18 | 1 | 125040641/0 | Support | |
| 19 | 1 | 382735523/0 | Steering Sector | |
| 20 | 1 | 325774453/0 | Clamp | |
| 21 | 1 | 119216047/0 | Bearing | |
| 22 | 3 | 112691100/0 | Screw | |
| 23 | 3 | 112523060/0 | Washer | |
| 24 | 3 | 112155000/0 | Nut | |
| 25 | 1 | 112819600/0 | Screw | |
| 26 | 1 | 112521395/0 | Washer | |
| 27 | 1 | 112521370/0 | Washer | |
| 28 | 1 | 112156603/0 | Nut | |
| 29 | 1 | 382000622/0 | Steering Rod | |
| 30 | 1 | 325774491/1 | Bracket | |
| 31 | 1 | 382000624/0 | Steering Rod | |
| 32 | 1 | 325774393/0 | Bracket | |
| 33 | 4 | 112522050/0 | Washer | |
| 34 | 2 | 112155700/0 | Nut | |
| 35 | 4 | 112760585/0 | Screw | |
| 36 | 4 | 112521370/0 | Washer | |
| 37 | 1 | 125160063/0 | Spacer | |



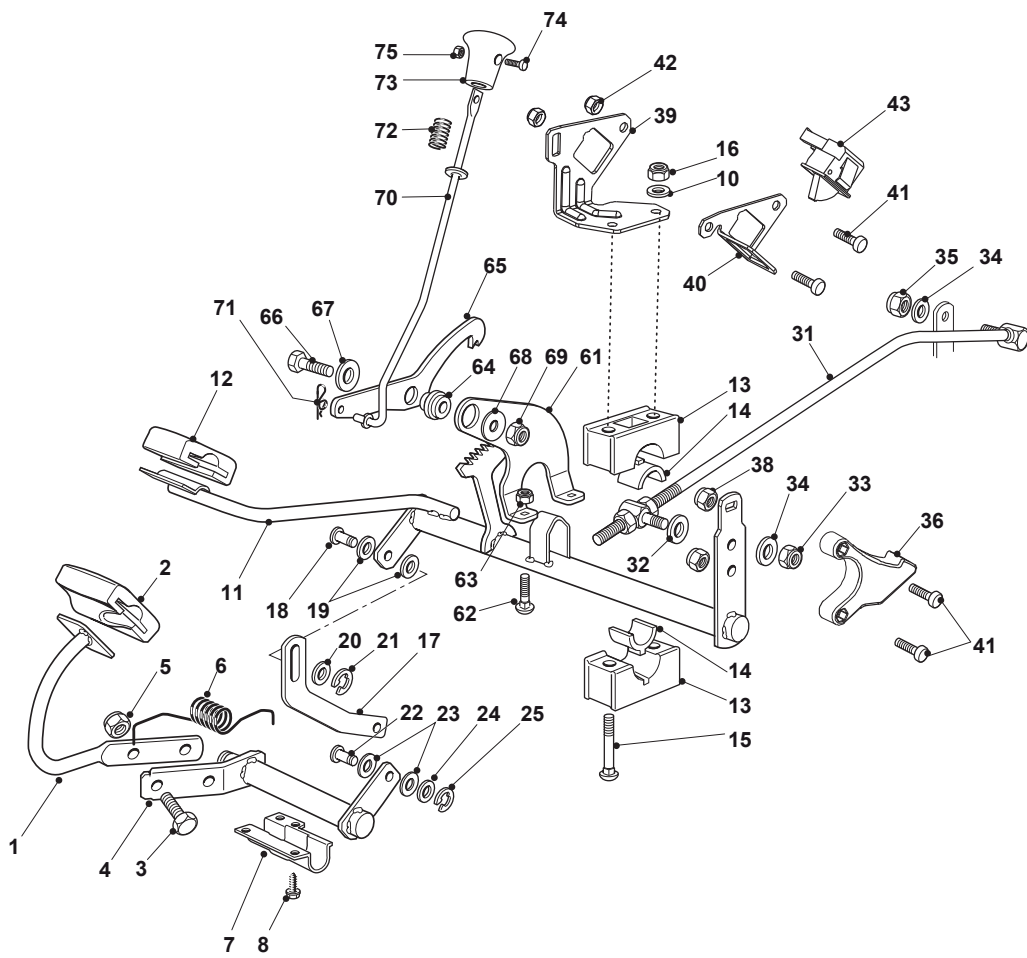
| Fig. | Q.ty | Part No | Description | Notes |
|------|------|-------------|------------------|-------|
| 31 | 1 | 382034031/0 | Equalizer Ass.Y | |
| 32 | 4 | 125040632/0 | Bushing | |
| 33 | 3 | 112379511/0 | Grease Dispenser | |
| 34 | 2 | 125040633/0 | Bushing | |
| 35 | 1 | 112695900/0 | Screw | |
| 36 | 3 | 112521395/0 | Washer | |
| 37 | 1 | 112295801/0 | Nut | |
| 38 | 2 | 382190000/1 | Clamp | |
| 39 | 4 | 112819280/0 | Screw | |
| 40 | 4 | 112523080/0 | Washer | |
| 41 | 4 | 112156602/0 | Nut | |
| 42 | 1 | 382230367/1 | Stub Axle | |
| 43 | 1 | 382230367/1 | Stub Axle | |
| 44 | 2 | 112001000/0 | Benzing Ring | |
| 49 | 4 | 112156603/0 | Nut | |
| 50 | 1 | 382820015/0 | Tie Rod | |
| 61 | 2 | 182000600/0 | Rimm | |
| 62 | 4 | 125122200/2 | Bearing | |
| 63 | 2 | 125950000/0 | Valve | |
| 64 | 2 | 125590012/0 | Tyre | |
| 65 | 2 | 125670005/1 | Washer | |
| 66 | 2 | 112001010/0 | Benzing Ring | |



| Fig. | Q.ty | Part No | Description | Notes |
|------|------|-------------|---------------------|-------|
| 1 | 1 | 382500041/0 | Pedal | |
| 2 | 1 | 125110267/0 | Clamp Cover | |
| 3 | 1 | 325547081/2 | Plate | |
| 4 | 4 | 112731601/0 | Screw | |
| 5 | 1 | 382000554/2 | Rod | |
| 6 | 1 | 112521350/0 | Washer | |
| 7 | 1 | 112155000/0 | Nut | |
| 8 | 1 | 112521350/0 | Washer | |
| 9 | 1 | 112155000/0 | Nut | |
| 10 | 1 | 325547281/1 | Plate | |
| 11 | 2 | 112815210/0 | Screw | |
| 12 | 2 | 112523040/0 | Washer | |
| 13 | 2 | 112154510/0 | Nut | |
| 21 | 1 | 325785143/1 | Support | |
| 22 | 2 | 112815210/0 | Screw | |
| 23 | 1 | 112523040/0 | Washer | |
| 24 | 2 | 112154510/0 | Nut | |
| 25 | 1 | 325253009/0 | Hook | |
| 26 | 1 | 122524970/2 | Fulcrum Pin | |
| 27 | 1 | 325670011/0 | Antifriction Washer | |
| 28 | 1 | 112155000/0 | Nut | |
| 29 | 1 | 125033097/0 | Rod | |
| 30 | 1 | 124487997/0 | Cotter Pin | |
| 31 | 1 | 125430213/0 | Spring | |
| 32 | 1 | 112523040/0 | Washer | |
| 33 | 1 | 325592001/0 | Knob | |
| 34 | 1 | 325592002/0 | Knob | |
| 35 | 1 | 112727815/0 | Screw | |



| Fig. | Q.ty | Part No | Description | Notes |
|------|------|-------------|--------------------------------|-------|
| 1 | 1 | 382500045/0 | Pedal | |
| 2 | 1 | 325110275/0 | Clamp Cover | |
| 3 | 2 | 112793301/0 | Screw | |
| 4 | 1 | 382000559/1 | Axle | |
| 5 | 2 | 112155000/0 | Nut | |
| 6 | 1 | 125430246/1 | Spring | |
| 7 | 1 | 325547133/1 | Plate | |
| 8 | 4 | 112731601/0 | Screw | |
| 10 | 4 | 112523040/0 | Washer | |
| 11 | 1 | 382000617/2 | Axle | |
| 12 | 1 | 325110274/0 | Clamp Cover Front | |
| 13 | 4 | 325785354/0 | Support | |
| 14 | 4 | 325034003/0 | Brass | |
| 15 | 4 | 112815271/0 | Screw | |
| 16 | 4 | 112154510/0 | Nut | |
| 17 | 1 | 325547207/0 | Plate | |
| 18 | 1 | 125510085/1 | Pin | |
| 19 | 2 | 325670011/0 | Antifriction Washer | |
| 20 | 1 | 112521350/0 | Washer | |
| 21 | 1 | 112000930/0 | Benzing Ring | |
| 22 | 1 | 125510085/1 | Pin | |
| 23 | 2 | 325670011/0 | Antifriction Washer | |
| 24 | 1 | 112521350/0 | Washer | |
| 25 | 1 | 112000930/0 | Benzing Ring | |
| 31 | 1 | 382000612/0 | Rod | |
| 32 | 1 | 112523060/0 | Washer | |
| 33 | 1 | 112154510/0 | Nut | |
| 34 | 2 | 112523040/0 | Washer | |
| 35 | 1 | 112154510/0 | Nut | |
| 36 | 1 | 325060050/0 | Cam | |
| 37 | 2 | 112789100/0 | Screw | |
| 38 | 2 | 112154330/0 | Nut | |
| 39 | 1 | 325755071/0 | Angle Bracket | |
| 40 | 1 | 325785479/0 | Micro Switch Bracket | |
| 41 | 2 | 112791400/0 | Screw | |
| 42 | 2 | 112292102/0 | Nut | |
| 43 | 1 | 119410614/0 | Microswitch | |
| 61 | 1 | 325774477/0 | Clamp | |
| 62 | 2 | 112815210/0 | Screw | |
| 63 | 2 | 112292102/0 | Nut | |
| 64 | 1 | 125040638/0 | Bushing | |
| 65 | 1 | 325022000/1 | Hook | |
| 66 | 1 | 112691100/0 | Screw | |
| 67 | 1 | 112523060/0 | Washer | |
| 68 | 1 | 322672152/0 | Antifriction Washer | |
| 69 | 1 | 112155000/0 | Nut | |
| 70 | 1 | 125033092/0 | Feed Control Rod Tc 2000 Hydro | |
| 71 | 1 | 124487995/0 | Cotter Pin | |
| 72 | 1 | 125430232/0 | Spring | |
| 73 | 1 | 325605002/0 | Button | |
| 74 | 1 | 112726389/0 | Screw | |

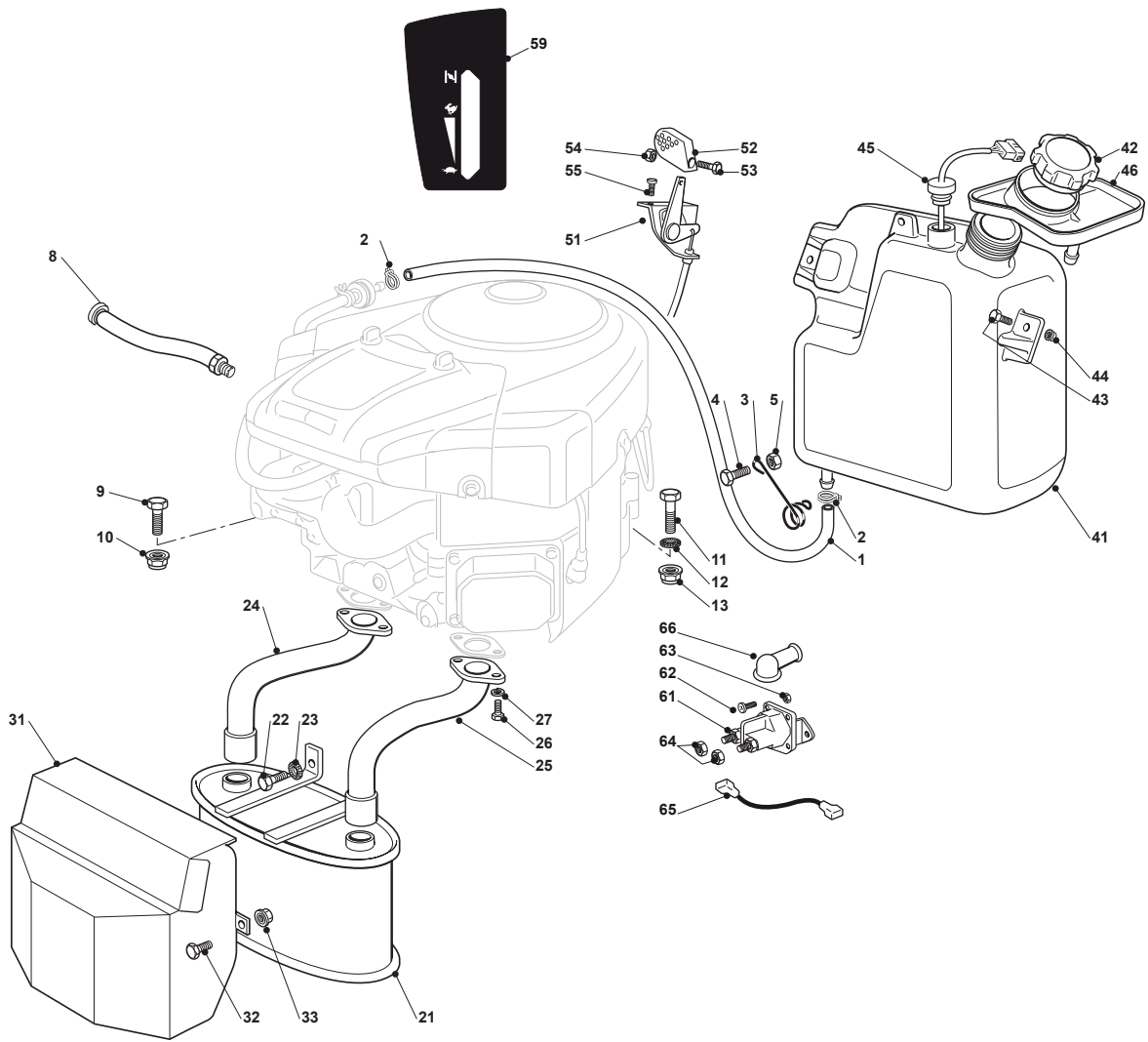


THS 122 HYDRO

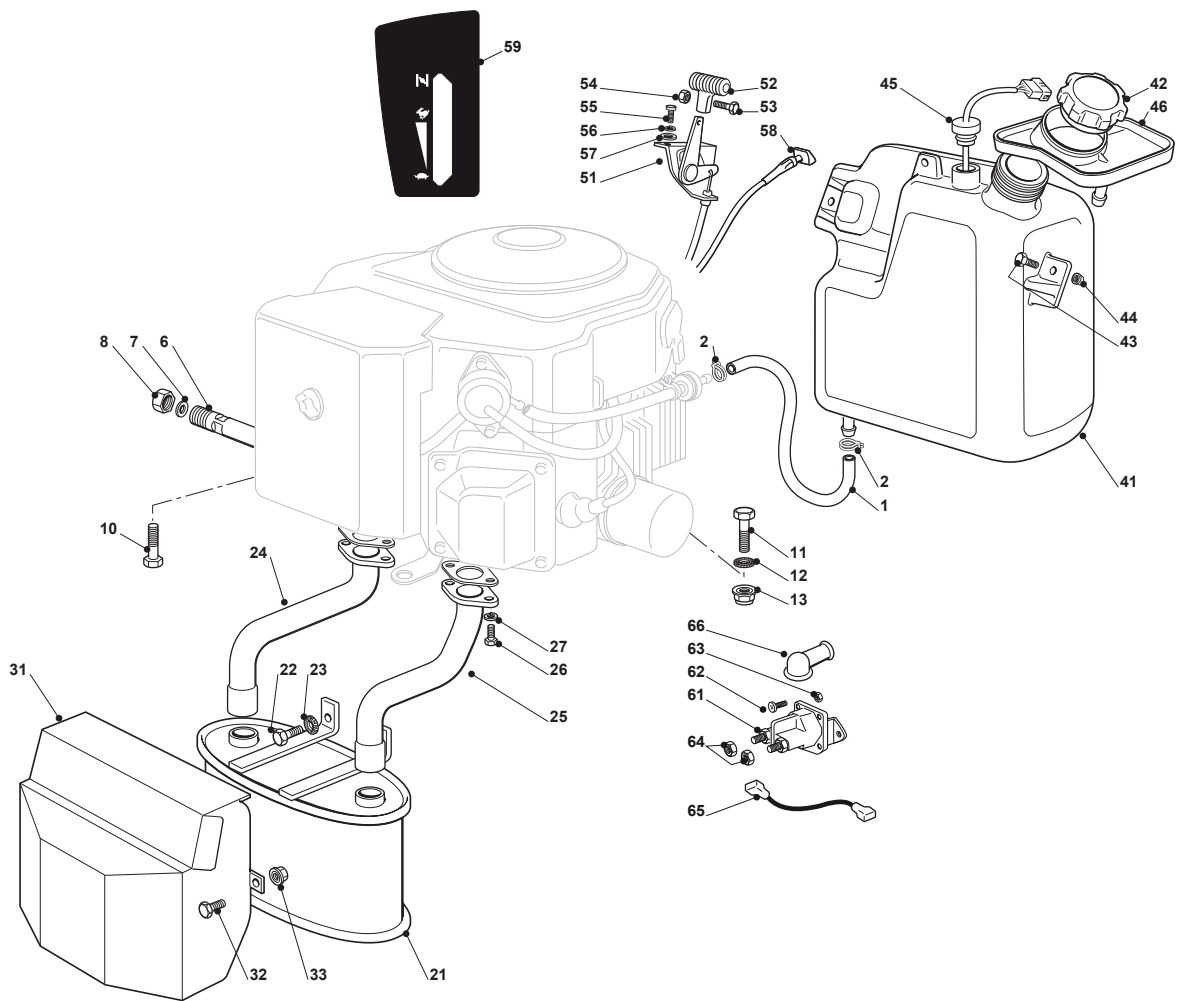
Ride-on 102-122 Drive Controls

Issue 11 - 2015

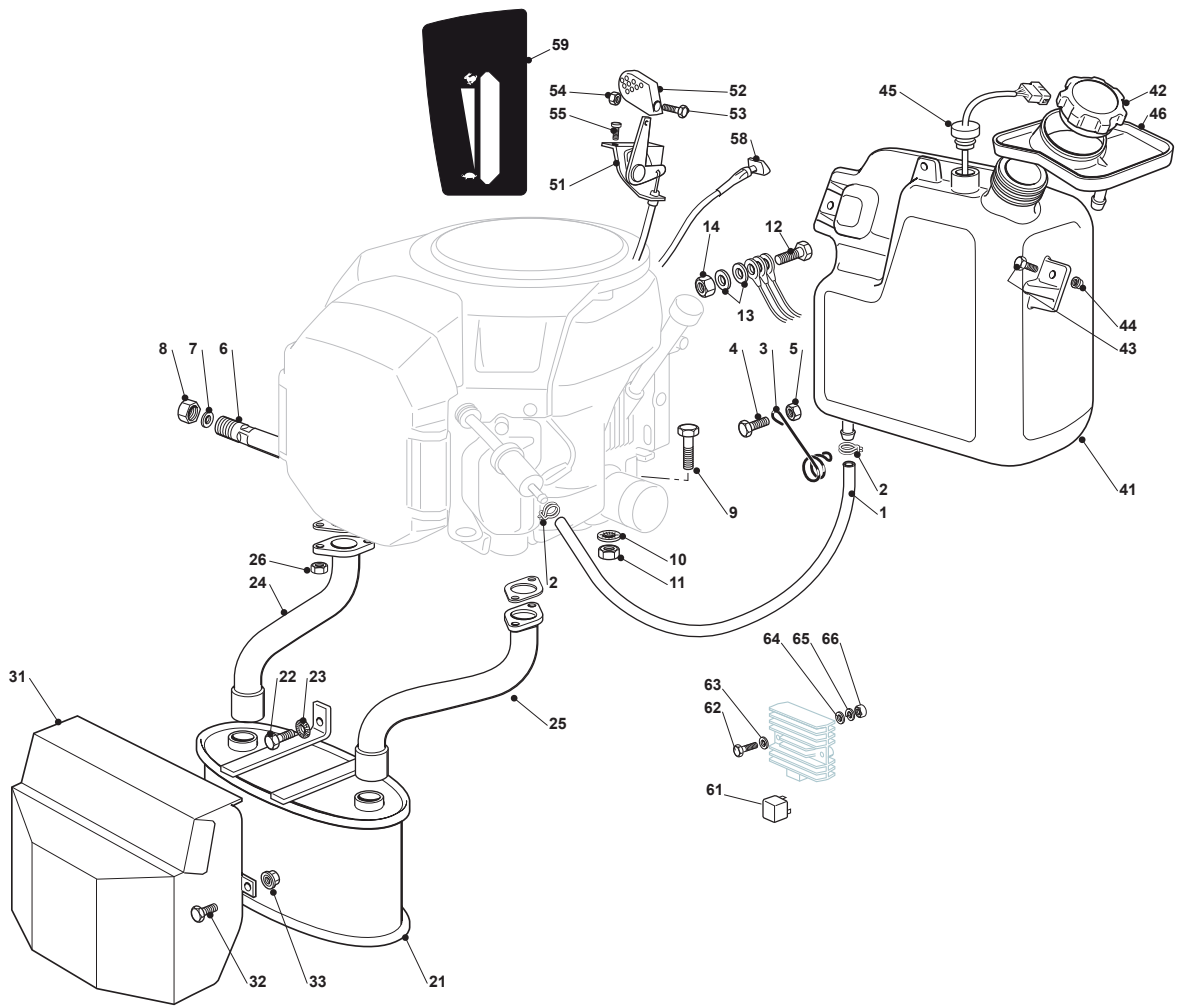
| Fig. | Q.ty | Part No | Description | Notes |
|------|------|-------------|-------------|-------|
| 75 | 1 | 112290800/0 | Nut | |



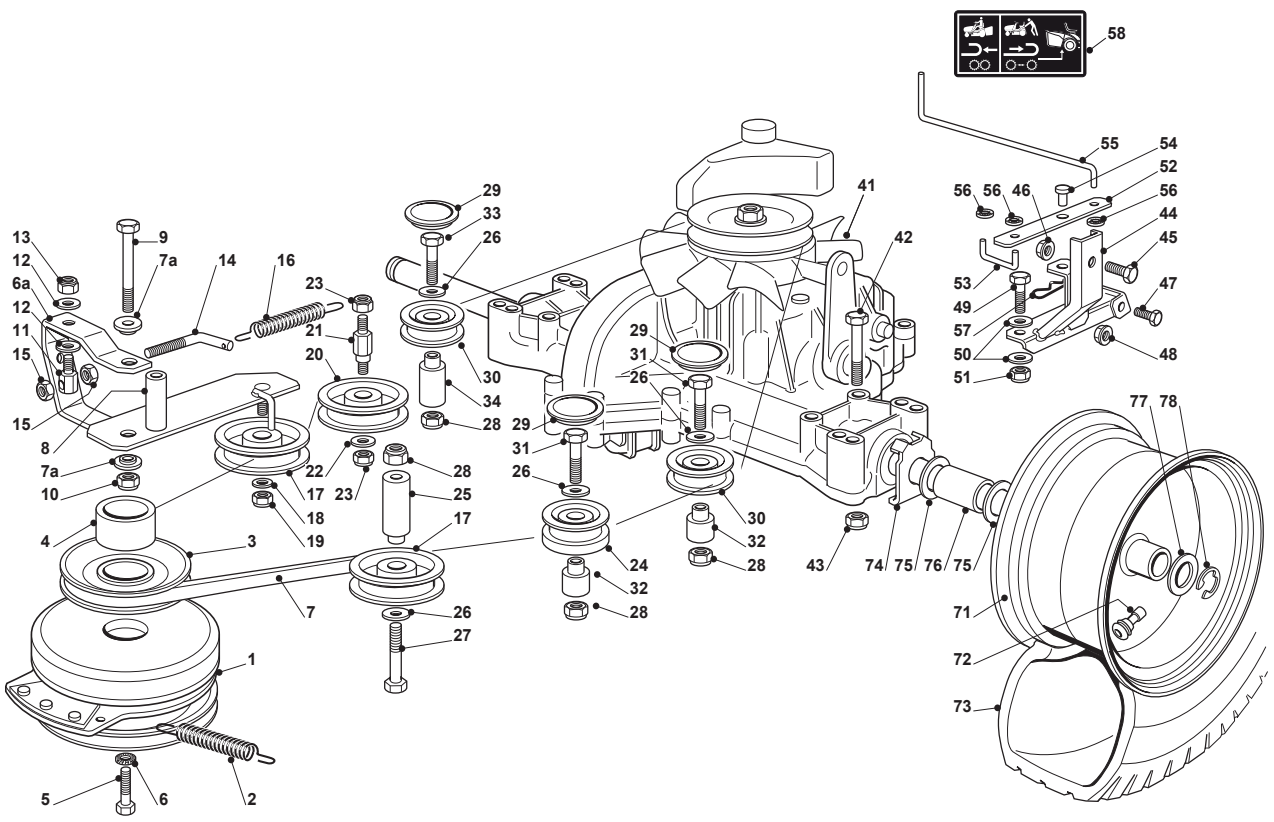
| Fig. | Q.ty | Part No | Description | Notes |
|------|------|--------------|----------------------|-------|
| 1 | 1 | 325869016/1 | Connecting Tube | |
| 2 | 2 | 118375051/1 | Fair Led | |
| 3 | 1 | 125430239/1 | Spring | |
| 4 | 1 | 112790781/0 | Screw | |
| 5 | 1 | 112292102/0 | Nut | |
| 8 | 1 | 1134-5827-01 | Oil Drain Assy | |
| 9 | 3 | 112691100/0 | Screw | |
| 10 | 3 | 112154210/0 | Nut | |
| 11 | 1 | 112691115/0 | Screw | |
| 12 | 1 | 112540260/0 | Grower | |
| 13 | 1 | 112154210/0 | Nut | |
| 21 | 1 | 182750009/0 | Muffler | |
| 22 | 2 | 112793301/0 | Screw | |
| 23 | 2 | 112540260/0 | Grower | |
| 24 | 1 | 118738236/0 | Exhaust Right Tube | |
| 25 | 1 | 118738237/0 | Exhaust Left Tube | |
| 26 | 4 | 112735530/0 | Screw | |
| 27 | 4 | 112583500/0 | Grower | |
| 31 | 1 | 382598043/2 | Muffler Protection | |
| 32 | 2 | 112791011/0 | Screw | |
| 33 | 2 | 112292102/0 | Nut | |
| 41 | 1 | 325735125/2 | Tank | |
| 42 | 1 | 325795003/0 | Fuel Cap | |
| 43 | 2 | 112788910/0 | Screw | |
| 44 | 2 | 112500092/0 | Rivet | |
| 45 | 1 | 125290002/0 | Fuel Level Indicator | |
| 46 | 1 | 325600086/0 | Tank Guard | |
| 51 | 1 | 182000218/0 | Accelerator | |
| 52 | 1 | 325592000/0 | Knob | |
| 53 | 1 | 112726388/0 | Screw | |
| 54 | 1 | 112290800/0 | Nut | |
| 55 | 2 | 112788512/0 | Screw | |
| 59 | 1 | 114360717/0 | Label | |
| 61 | 1 | 118736111/0 | Starter Relay | |
| 62 | 2 | 112791011/0 | Screw | |
| 63 | 2 | 112292102/0 | Nut | |
| 64 | 2 | 112360352/0 | Nut | |
| 65 | 1 | 125065002/0 | Cable | |
| 66 | 1 | 118564861/1 | Protection | |



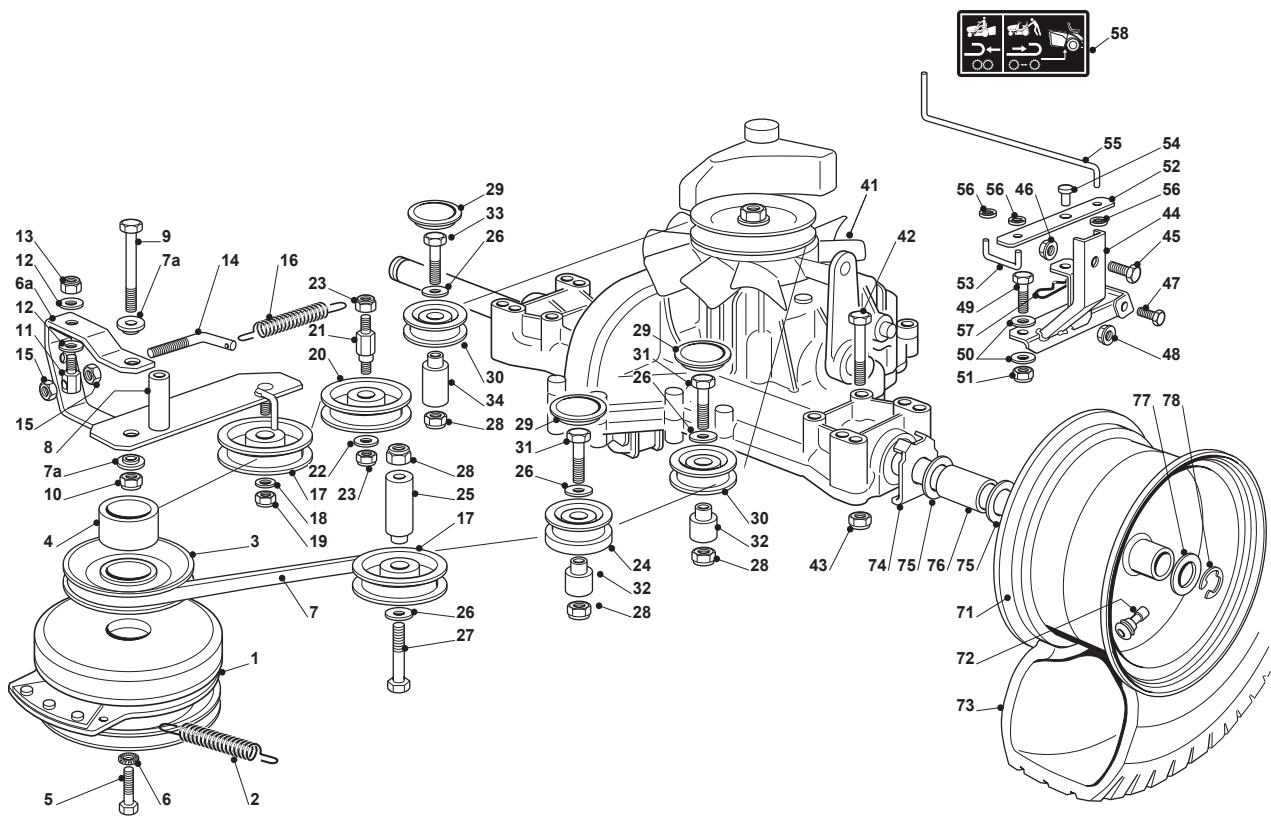
| Fig. | Q.ty | Part No | Description | Notes |
|------|------|-------------|-------------------------|-------|
| 1 | 1 | 325869057/0 | Connecting Tube | |
| 2 | 2 | 118375051/1 | Fair Led | |
| 6 | 1 | 125598050/0 | Oil Discharge Extension | |
| 7 | 1 | 118737849/0 | Plug | |
| 8 | 1 | 118401001/1 | Oil Seal | |
| 10 | 4 | 112735108/1 | Screw | |
| 11 | 1 | 112691115/0 | Screw | |
| 12 | 1 | 112540260/0 | Grower | |
| 13 | 1 | 112154210/0 | Nut | |
| 21 | 1 | 182750009/0 | Muffler | |
| 22 | 2 | 112793301/0 | Screw | |
| 23 | 2 | 112540260/0 | Grower | |
| 24 | 1 | 118738234/0 | Exhaust Right Tube | |
| 25 | 1 | 118738235/0 | Exhaust Left Tube | |
| 26 | 4 | 112735530/0 | Screw | |
| 27 | 4 | 112583500/0 | Grower | |
| 31 | 1 | 382598043/1 | Guard | |
| 32 | 2 | 112791011/0 | Screw | |
| 33 | 2 | 112292102/0 | Nut | |
| 41 | 1 | 325735125/0 | Tank | |
| 42 | 1 | 325795003/0 | Fuel Cap | |
| 43 | 2 | 112788910/0 | Screw | |
| 44 | 2 | 112500092/0 | Rivet | |
| 45 | 1 | 125290002/0 | Fuel Level Indicator | |
| 46 | 1 | 325600086/0 | Tank Guard | |
| 51 | 1 | 182000213/0 | Accelerator | |
| 52 | 1 | 125394501/0 | Knob | |
| 53 | 1 | 112726388/0 | Screw | |
| 54 | 1 | 112290800/0 | Nut | |
| 55 | 2 | 112788512/0 | Screw | |
| 56 | 2 | 112581200/0 | Grower | |
| 57 | 2 | 112521310/0 | Washer | |
| 58 | 1 | 125090005/0 | Choke Control | |
| 59 | 1 | 114360717/0 | Label | |
| 61 | 1 | 118736111/0 | Starter Relay | |
| 62 | 2 | 112791011/0 | Screw | |
| 63 | 2 | 112292102/0 | Nut | |
| 64 | 2 | 112360352/0 | Nut | |
| 65 | 1 | 125065002/0 | Cable | |
| 66 | 1 | 118564861/1 | Protection | |



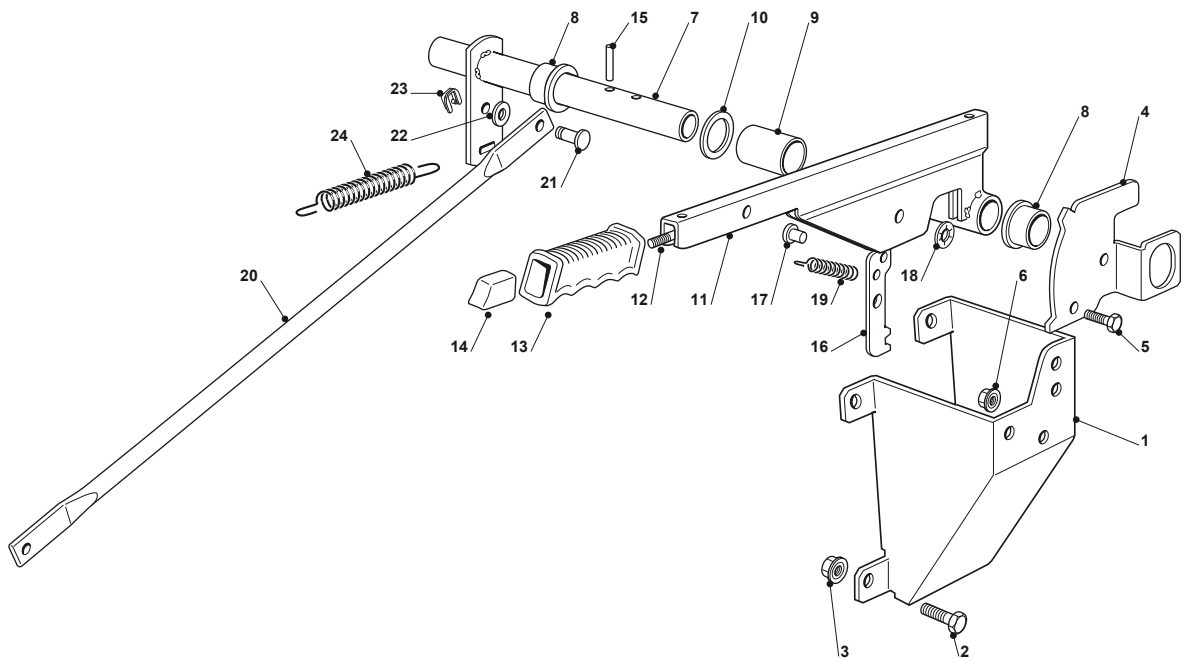
| Fig. | Q.ty | Part No | Description | Notes |
|------|------|--------------|-------------------------|-------|
| 1 | 1 | 325869057/0 | Connecting Tube | |
| 2 | 2 | 118375051/1 | Fair Led | |
| 3 | 1 | 125430239/1 | Spring | |
| 4 | 1 | 112790781/0 | Screw | |
| 5 | 1 | 112292102/0 | Nut | |
| 6 | 1 | 125598050/0 | Oil Discharge Extension | |
| 7 | 1 | 118737849/0 | Plug | |
| 8 | 1 | 1134-5827-01 | Oil Drain Assy | |
| 9 | 4 | 125510028/1 | Pin | |
| 10 | 1 | 112540260/0 | Grower | |
| 11 | 4 | 112154210/0 | Nut | |
| 12 | 1 | 112691200/0 | Screw | |
| 13 | 2 | 112523060/0 | Washer | |
| 14 | 1 | 112293200/0 | Nut | |
| 21 | 1 | 182750009/0 | Muffler | |
| 22 | 2 | 112793301/0 | Screw | |
| 23 | 2 | 112540260/0 | Grower | |
| 24 | 1 | 118738234/0 | Exhaust Right Tube | |
| 25 | 1 | 118738235/0 | Exhaust Left Tube | |
| 26 | 4 | 112293201/0 | Nut | |
| 31 | 1 | 382598043/1 | Guard | |
| 32 | 2 | 112791011/0 | Screw | |
| 33 | 2 | 112292102/0 | Nut | |
| 41 | 1 | 325735125/2 | Tank | |
| 42 | 1 | 325795003/0 | Fuel Cap | |
| 43 | 2 | 112788910/0 | Screw | |
| 44 | 2 | 112500092/0 | Rivet | |
| 45 | 1 | 125290002/0 | Fuel Level Indicator | |
| 46 | 1 | 325600086/0 | Tank Guard | |
| 51 | 1 | 182000220/0 | Accelerator | |
| 52 | 1 | 325592000/0 | Knob | |
| 53 | 1 | 112726388/0 | Screw | |
| 54 | 1 | 112290800/0 | Nut | |
| 55 | 2 | 125943012/0 | Screw | |
| 58 | 1 | 125090007/0 | Choke Control | |
| 59 | 1 | 114360716/0 | Label | |
| 61 | 1 | 133567000/0 | Relay | |
| 62 | 2 | 112791500/0 | Screw | |
| 63 | 2 | 112521330/0 | Washer | |
| 64 | 2 | 112521330/0 | Washer | |
| 65 | 2 | 112582100/0 | Grower | |
| 66 | 2 | 112292100/0 | Nut | |



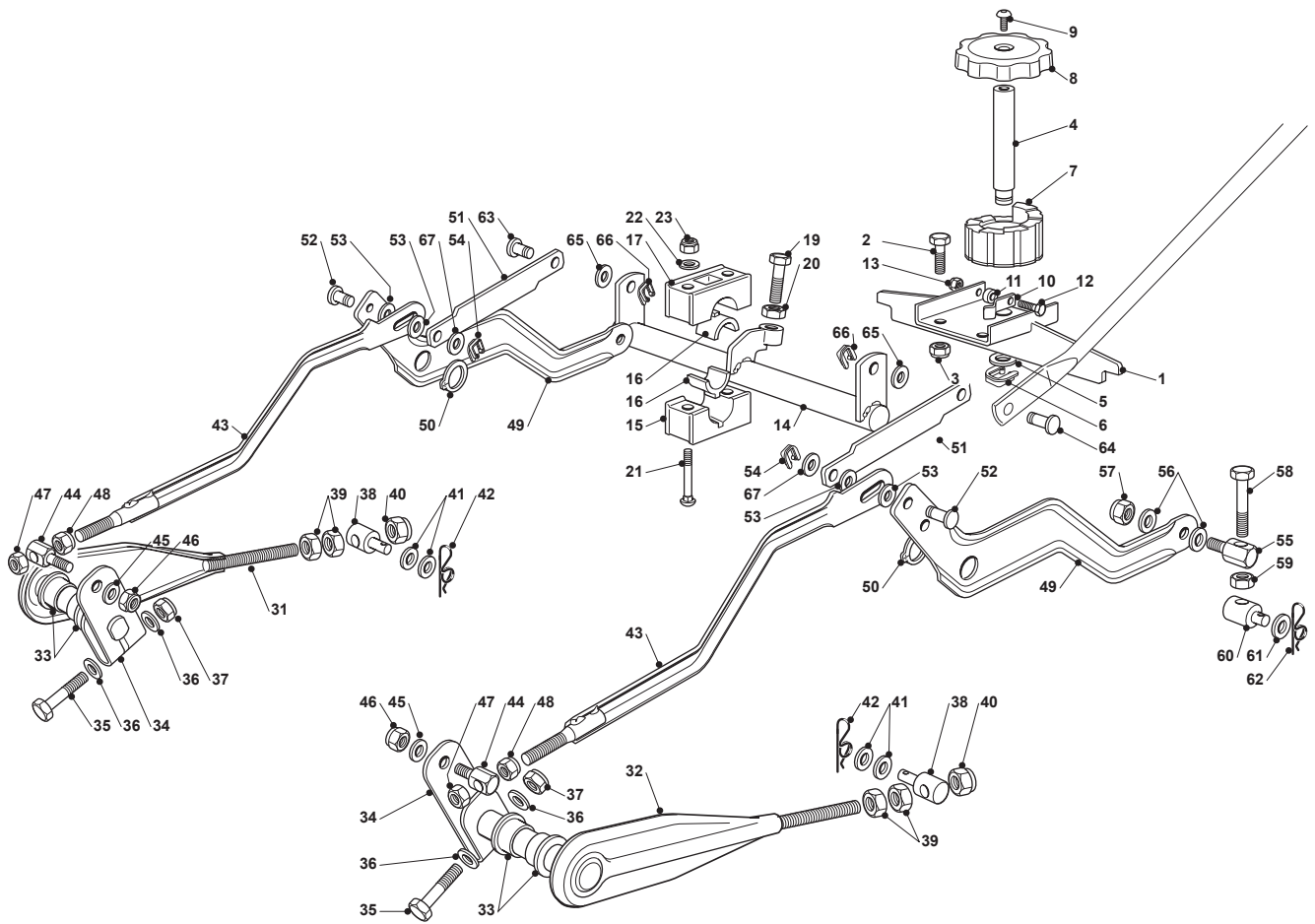
| Fig. | Q.ty | Part No | Description | Notes |
|------|------|-------------|--------------------------|-------|
| 1 | 1 | 118399062/0 | Electromagnetic Clutch | |
| 2 | 1 | 125430210/1 | Brake Spring | |
| 3 | 1 | 125601580/0 | Pulley | |
| 4 | 1 | 125160021/0 | Spacer | |
| 5 | 1 | 112737320/0 | Screw | |
| 6 | 1 | 112543000/0 | Washer | |
| 6 | 1 | 382318251/0 | Lever | |
| 7 | 1 | 135062002/1 | Belt | |
| 7 | 2 | 125038002/1 | Bushing | |
| 8 | 1 | 125160054/0 | Spacer | |
| 9 | 1 | 12793905/0 | Screw | |
| 10 | 1 | 112155000/0 | Nut | |
| 11 | 1 | 125510040/1 | Pin | |
| 12 | 2 | 325670011/0 | Antifriction Washer | |
| 13 | 1 | 112155000/0 | Nut | |
| 14 | 1 | 125840030/0 | Tie Rod | |
| 15 | 2 | 112293200/0 | Nut | |
| 16 | 1 | 125430219/0 | Spring | |
| 17 | 2 | 125601554/0 | Pulley | |
| 18 | 1 | 112523060/0 | Washer | |
| 19 | 1 | 112155000/0 | Nut | |
| 20 | 1 | 325601599/0 | Pulley | |
| 21 | 1 | 125510036/2 | Pin | |
| 22 | 1 | 112523060/0 | Washer | |
| 23 | 2 | 112155000/0 | Nut | |
| 24 | 1 | 325601584/1 | Pulley | |
| 25 | 1 | 125160060/0 | Spacer | |
| 26 | 4 | 112523060/0 | Washer | |
| 27 | 2 | 112691115/0 | Screw | |
| 28 | 4 | 112155000/0 | Nut | |
| 29 | 3 | 125109521/1 | Cover | |
| 30 | 2 | 325601570/1 | Pulley | |
| 31 | 2 | 112691115/0 | Screw | |
| 32 | 2 | 125160030/2 | Left Spacer | |
| 33 | 1 | 112691400/0 | Screw | |
| 34 | 1 | 125160024/2 | Right Spacer | |
| 41 | 1 | 118400950/1 | Rear Axle Tuff Torq K46F | |
| 42 | 4 | 112691800/0 | Screw | |
| 43 | 4 | 112154210/0 | Nut | |
| 44 | 1 | 382785175/0 | Support | |
| 45 | 1 | 112735120/0 | Screw | |
| 46 | 1 | 112293201/0 | Nut | |
| 47 | 1 | 112792611/0 | Screw | |
| 48 | 1 | 112293201/0 | Nut | |
| 49 | 1 | 112691115/0 | Screw | |
| 50 | 2 | 112521350/0 | Washer | |
| 51 | 1 | 112155000/0 | Nut | |
| 52 | 1 | 325547229/0 | Lever | |
| 53 | 1 | 125580031/0 | Rod | |
| 54 | 1 | 127510111/0 | Pin | |
| 55 | 1 | 125033079/0 | Rod | |



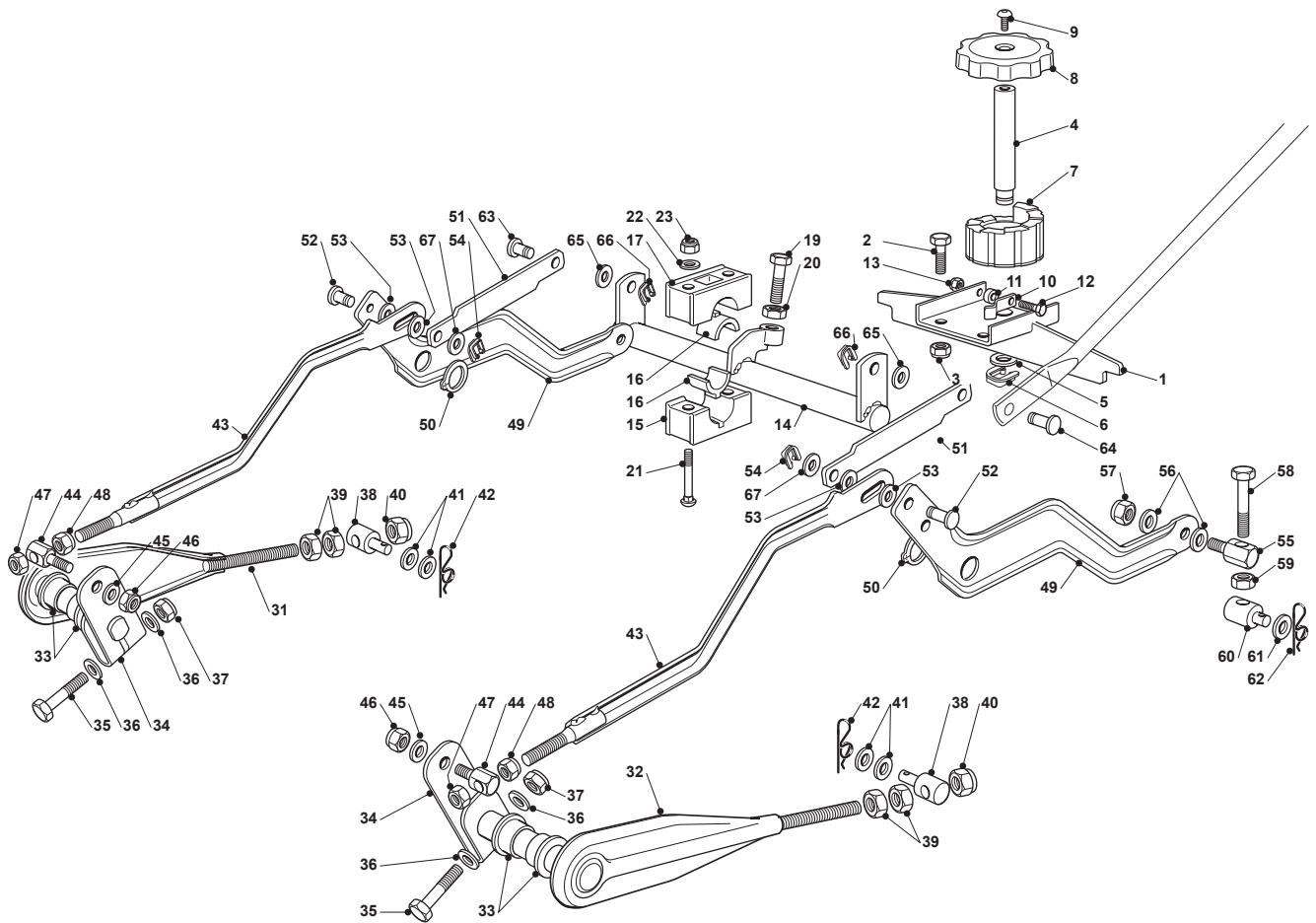
| Fig. | Q.ty | Part No | Description | Notes |
|------|------|-------------|----------------|-------|
| 56 | 3 | 112604896/0 | Crown Fastener | |
| 57 | 1 | 124487997/0 | Cotter Pin | |
| 58 | 1 | 114363429/0 | Label | |
| 71 | 2 | 182000602/0 | Rimm | |
| 72 | 2 | 125950000/0 | Valve | |
| 73 | 2 | 125590013/0 | Tyre | |
| 74 | 2 | 325670025/0 | Washer | |
| 75 | 4 | 112521410/0 | Washer | |
| 76 | 2 | 125160023/0 | Spacer | |
| 77 | 2 | 125670005/1 | Washer | |
| 78 | 2 | 112001010/0 | Benzing Ring | |



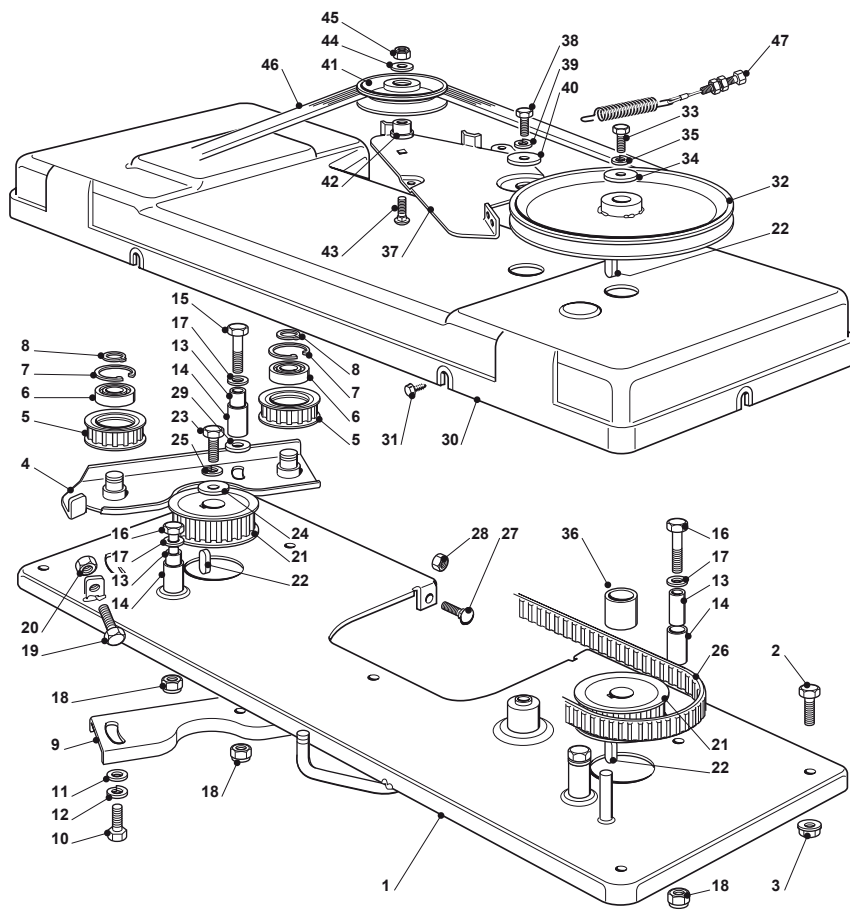
| Fig. | Q.ty | Part No | Description | Notes |
|------|------|-------------|---------------------|-------|
| 1 | 1 | 325785137/1 | Support | |
| 2 | 4 | 112791011/0 | Screw | |
| 3 | 4 | 112292102/0 | Nut | |
| 4 | 1 | 325735521/0 | Sector | |
| 5 | 2 | 112793102/0 | Screw | |
| 6 | 2 | 112293201/0 | Nut | |
| 7 | 1 | 382000551/0 | Axle | |
| 8 | 2 | 122034523/0 | Bushing | |
| 9 | 1 | 125160025/0 | Spacer | |
| 10 | 1 | 322672153/0 | Antifriction Washer | |
| 11 | 1 | 382318241/0 | Lever | |
| 12 | 1 | 125033002/1 | Rod | |
| 13 | 1 | 125394504/1 | Knob | |
| 14 | 1 | 125605000/1 | Button | |
| 15 | 2 | 112620206/0 | Pin | |
| 16 | 1 | 325470901/1 | Dog | |
| 17 | 1 | 125510011/0 | Pin | |
| 18 | 1 | 112604899/0 | Crown Fastener | |
| 19 | 1 | 125430208/0 | Spring | |
| 20 | 1 | 325033077/0 | Rod | |
| 21 | 1 | 125510117/0 | Pin | |
| 22 | 1 | 325670011/0 | Antifriction Washer | |
| 23 | 7 | 112436050/0 | Plate | |
| 24 | 1 | 125430218/1 | Spring | |



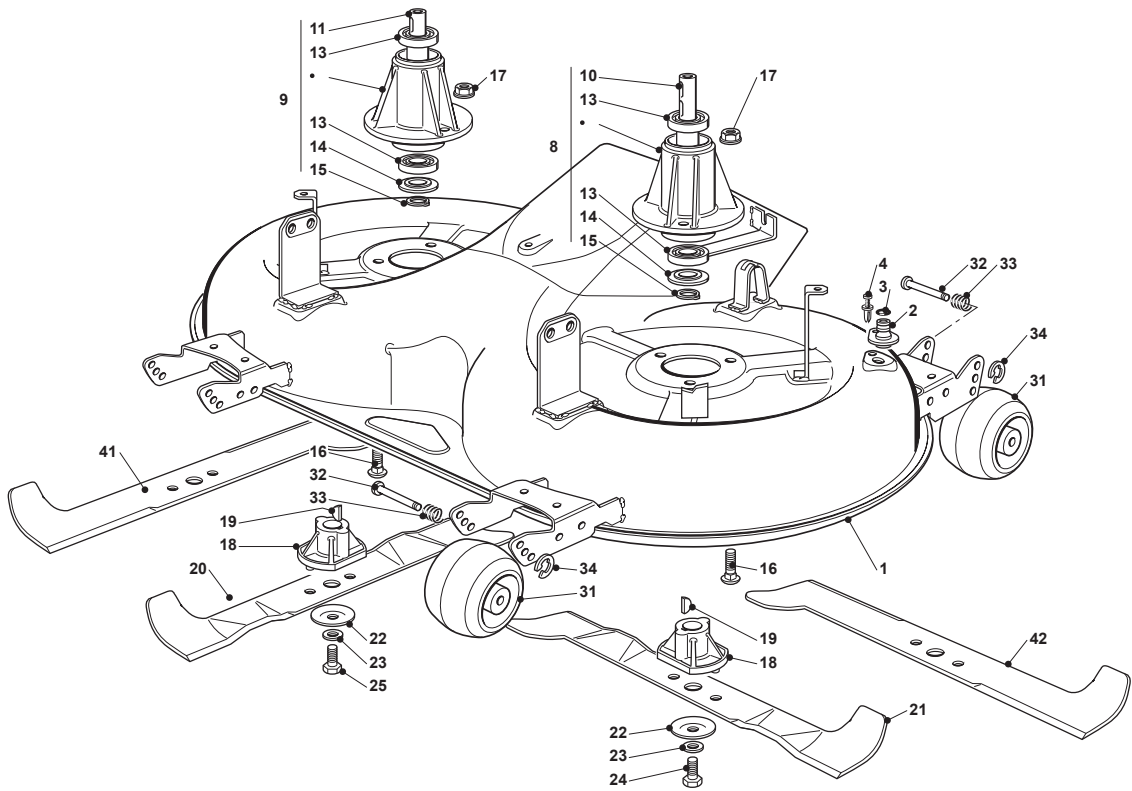
| Fig. | Q.ty | Part No | Description | Notes |
|------|------|-------------|---------------------------|-------|
| 1 | 1 | 382785181/1 | Bracket | |
| 2 | 2 | 112818690/0 | Screw | |
| 3 | 2 | 112293201/0 | Nut | |
| 4 | 1 | 125520009/0 | Axle | |
| 5 | 1 | 322672151/0 | Antifriction Washer | |
| 6 | 1 | 112436030/0 | Plate | |
| 7 | 1 | 325060037/0 | Cam | |
| 8 | 1 | 325394530/0 | Knob | |
| 9 | 1 | 112760600/0 | Screw | |
| 10 | 1 | 325430267/0 | Spring | |
| 11 | 1 | 122170600/0 | Spacer | |
| 12 | 1 | 112789195/0 | Screw | |
| 13 | 1 | 112154320/0 | Nut | |
| 14 | 1 | 382000615/0 | Axle | |
| 15 | 2 | 325785355/0 | Support | |
| 16 | 4 | 325034003/0 | Brass | |
| 17 | 2 | 325785354/0 | Support | |
| 19 | 1 | 125943005/0 | Screw | |
| 20 | 1 | 112295200/0 | Nut | |
| 21 | 4 | 112815271/0 | Screw | |
| 22 | 4 | 112523040/0 | Washer | |
| 23 | 4 | 112154510/0 | Nut | |
| 31 | 1 | 382318159/0 | Front Right Fulcrum Lever | |
| 32 | 1 | 382318161/0 | Lever | |
| 33 | 4 | 125040605/0 | Bushing | |
| 34 | 2 | 325318161/0 | Lever | |
| 35 | 2 | 112691700/0 | Screw | |
| 36 | 4 | 112521350/0 | Washer | |
| 37 | 2 | 112155000/0 | Nut | |
| 38 | 2 | 125510069/1 | Pin | |
| 39 | 4 | 112295200/0 | Nut | |
| 40 | 2 | 112156602/0 | Nut | |
| 41 | 4 | 325670008/1 | Washer | |
| 42 | 2 | 124487998/0 | Cotter Pin | |
| 43 | 2 | 382000477/2 | Connecting Rod Assy | |
| 44 | 2 | 125510055/1 | Pin | |
| 45 | 2 | 112521350/0 | Washer | |
| 46 | 2 | 112155000/0 | Nut | |
| 47 | 2 | 112155000/0 | Nut | |
| 48 | 2 | 112293200/0 | Nut | |
| 49 | 2 | 325318153/1 | Rear Lever | |
| 50 | 2 | 112609255/0 | Seeger | |
| 51 | 2 | 325318223/0 | Gearshift | |
| 52 | 2 | 125510048/1 | Pin | |
| 53 | 4 | 325670011/0 | Antifriction Washer | |
| 54 | 2 | 112436050/0 | Plate | |
| 55 | 2 | 125510056/0 | Pin | |
| 56 | 4 | 325670008/1 | Washer | |
| 57 | 2 | 112156602/0 | Nut | |
| 58 | 2 | 112794985/0 | Screw | |
| 59 | 2 | 112295200/0 | Nut | |



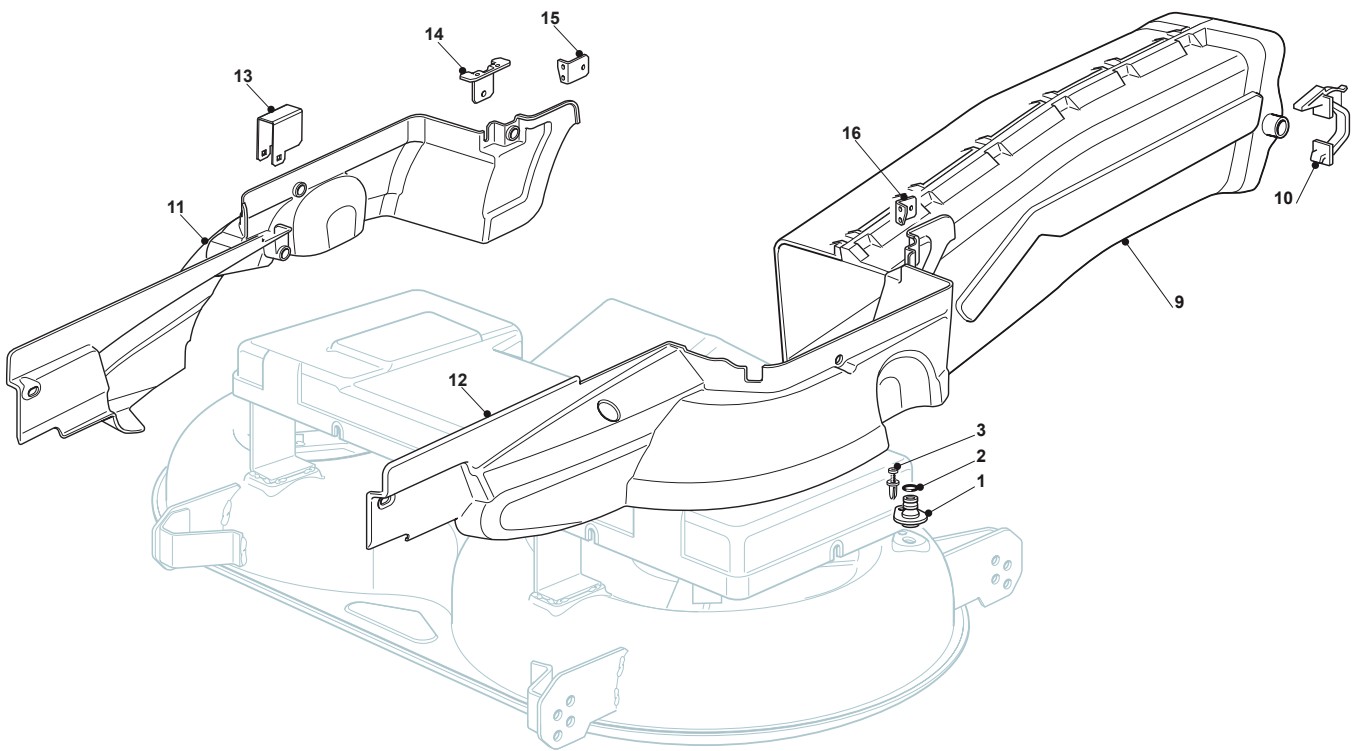
| Fig. | Q.ty | Part No | Description | Notes |
|------|------|-------------|---------------------|-------|
| 60 | 2 | 125510070/0 | Pin | |
| 61 | 2 | 112523090/0 | Washer | |
| 62 | 2 | 124487998/0 | Cotter Pin | |
| 63 | 1 | 125510117/0 | Pin | |
| 64 | 1 | 125510048/1 | Pin | |
| 65 | 2 | 325670011/0 | Antifriction Washer | |
| 66 | 2 | 112436050/0 | Plate | |
| 67 | 2 | 112521350/0 | Washer | |



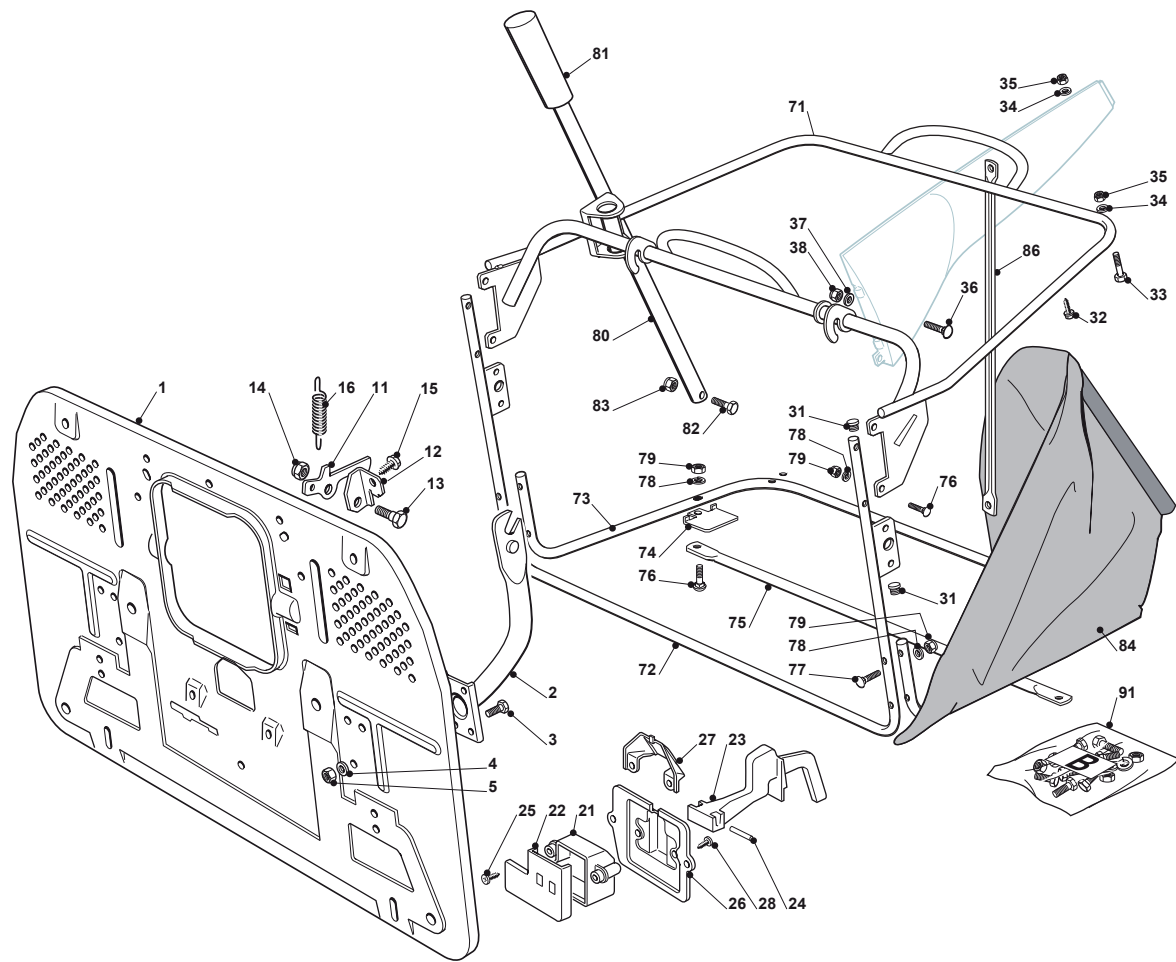
| Fig. | Q.ty | Part No | Description | Notes |
|------|------|-------------|-------------------|-------|
| 1 | 1 | 382547005/1 | Plate Trasmission | |
| 2 | 4 | 112792611/0 | Screw | |
| 3 | 4 | 112293201/0 | Nut | |
| 4 | 1 | 382785084/1 | Support | |
| 5 | 2 | 125601561/0 | Pulley | |
| 6 | 2 | 119216048/0 | Bearing | |
| 7 | 2 | 112610800/0 | Seeger | |
| 8 | 2 | 112609200/0 | Seeger | |
| 9 | 1 | 325650037/0 | Pulley Stiffening | |
| 10 | 2 | 112793102/0 | Screw | |
| 11 | 2 | 112521350/0 | Washer | |
| 12 | 2 | 112583500/0 | Grower | |
| 13 | 4 | 125160003/0 | Spacer | |
| 14 | 4 | 125038000/0 | Bushing | |
| 15 | 1 | 112691700/0 | Screw | |
| 16 | 3 | 112691200/0 | Screw | |
| 17 | 4 | 112521350/0 | Washer | |
| 18 | 4 | 112155000/0 | Nut | |
| 19 | 1 | 112793900/0 | Screw | |
| 20 | 1 | 112293200/0 | Nut | |
| 21 | 2 | 125601562/0 | Pulley | |
| 22 | 3 | 112139480/0 | Feather | |
| 23 | 1 | 112793102/0 | Screw | |
| 24 | 1 | 125670007/0 | Washer | |
| 25 | 1 | 112583500/0 | Grower | |
| 26 | 1 | 135065601/0 | Belt | |
| 27 | 3 | 112815200/0 | Screw | |
| 28 | 3 | 112292102/0 | Nut | |
| 29 | 1 | 112523060/0 | Washer | |
| 30 | 1 | 125060101/2 | Protection | |
| 31 | 6 | 112735110/0 | Screw | |
| 32 | 1 | 125601549/0 | Pulley | |
| 33 | 1 | 112793102/0 | Screw | |
| 34 | 1 | 125670007/0 | Washer | |
| 35 | 1 | 112583500/0 | Grower | |
| 36 | 1 | 125160002/0 | Spacer | |
| 37 | 1 | 325318119/0 | Lever | |
| 38 | 1 | 112793102/0 | Screw | |
| 39 | 1 | 112583500/0 | Grower | |
| 40 | 1 | 112523070/0 | Washer | |
| 41 | 1 | 325601599/0 | Pulley | |
| 42 | 1 | 125160079/0 | Spacer | |
| 43 | 1 | 112818900/0 | Screw | |
| 44 | 1 | 112523060/0 | Washer | |
| 45 | 1 | 112155000/0 | Nut | |
| 46 | 1 | 135062812/0 | Belt | |
| 47 | 1 | 182004609/0 | Engagging Cable | |



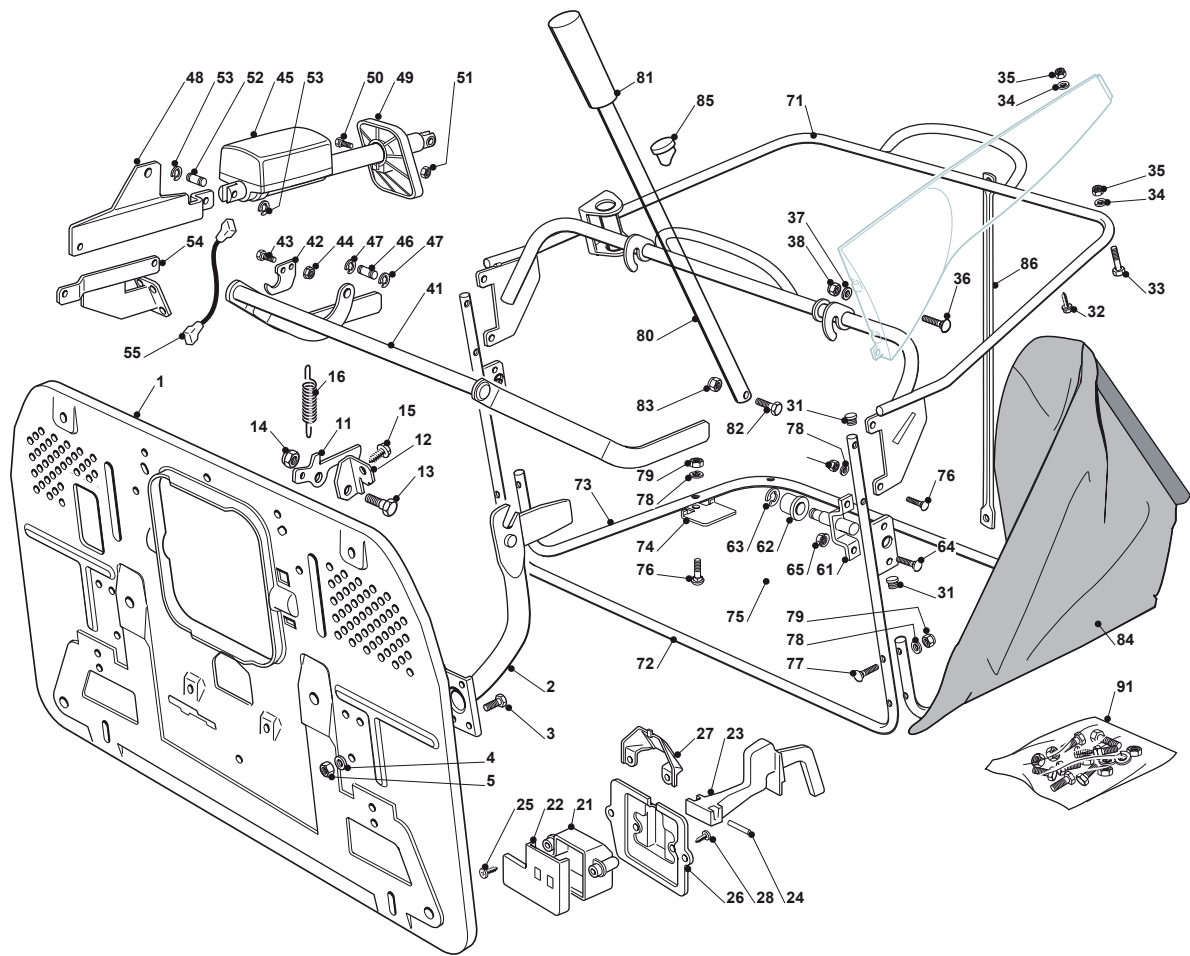
| Fig. | Q.ty | Part No | Description | Notes |
|------|------|-------------|---------------------------------|-------|
| 1 | 1 | 382564213/0 | Cutting Plate Black | |
| 1 | 1 | 382564214/0 | Cutting Plate Red | |
| 1 | 1 | 382564215/0 | Cutting Plate Yellow | |
| 2 | 2 | 125033060/0 | Washing Cutting Deck Connection | |
| 3 | 2 | 119035000/0 | Or Ring | |
| 4 | 2 | 112500030/0 | Rivet | |
| 8 | 1 | 382207200/1 | Flange Assy | |
| 9 | 1 | 382207201/2 | Support Shaft Tc | |
| 10 | 1 | 125020800/1 | Main Blade Shaft | |
| 11 | 1 | 125020801/2 | Secondary Blade Shaft | |
| 13 | 4 | 119216032/0 | Bearing | |
| 14 | 2 | 325160501/0 | Dust Cover Disc | |
| 15 | 2 | 112609260/0 | Seeger | |
| 16 | 6 | 112818700/0 | Screw | |
| 17 | 6 | 112154210/0 | Nut | |
| 18 | 2 | 125463200/0 | Blade Hub | |
| 19 | 2 | 112139100/0 | Feather, Crankshaft Ø 22,2 | |
| 20 | 1 | 182004350/0 | Right Mulching Blade | |
| 21 | 1 | 182004349/0 | Left Blade Mulching | |
| 22 | 2 | 122160400/0 | Elastic Disc | |
| 23 | 2 | 112523080/0 | Washer | |
| 24 | 1 | 112735694/0 | Screw | |
| 25 | 1 | 112735695/1 | Screw | |
| 31 | 4 | 182700004/0 | Anti Scalp Wheel | |
| 32 | 4 | 125510121/0 | Pin | |
| 33 | 4 | 122450115/0 | Spring | |
| 34 | 4 | 112000930/0 | Benzing Ring | |
| 41 | 1 | 182004343/0 | Right Blade | |
| 42 | 1 | 182004342/0 | Left Blade, Winged | |
| 1 | 1 | 382564220/0 | Cutting Plate Grey | |



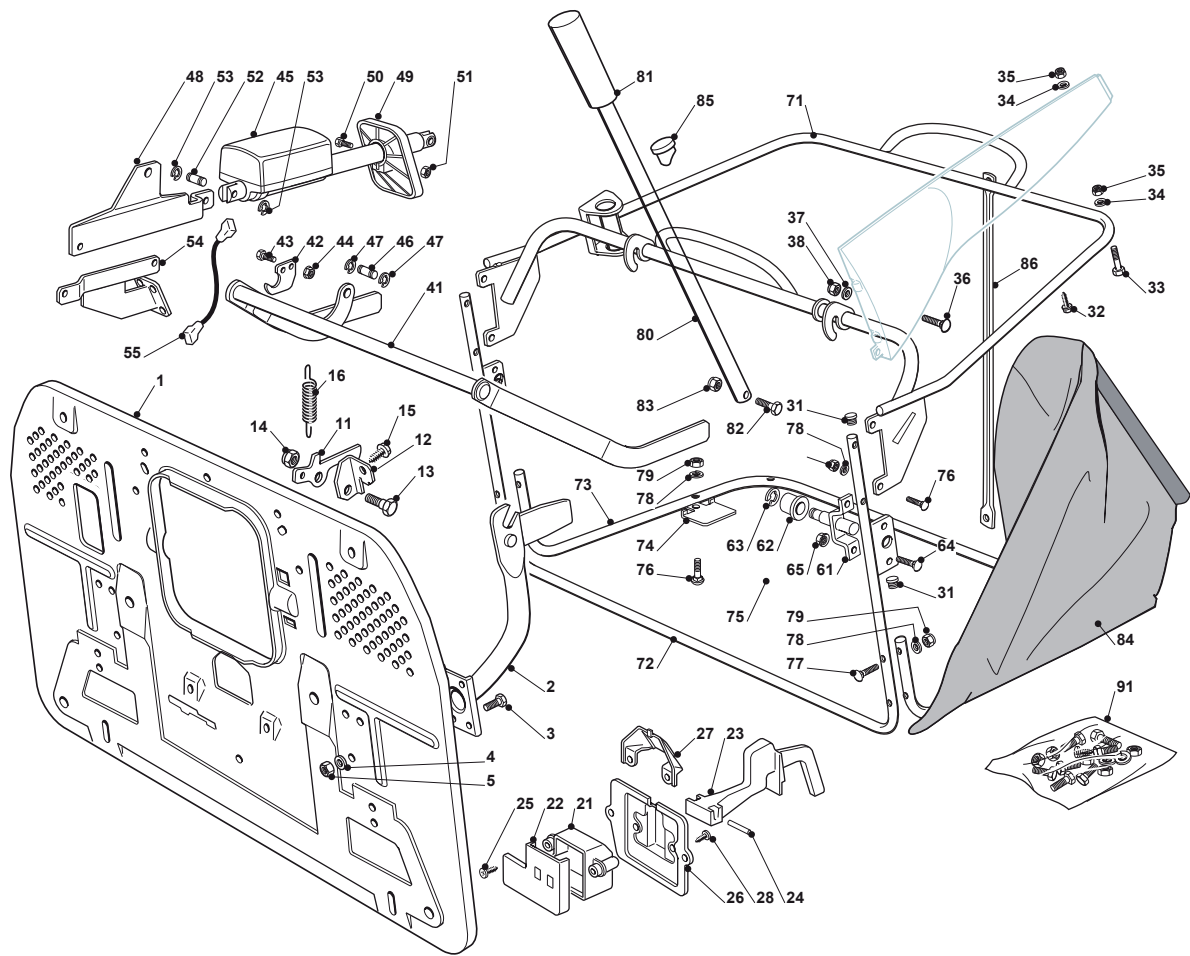
| Fig. | Q.ty | Part No | Description | Notes |
|------|------|-------------|---------------------------------|-------|
| 1 | 2 | 125033060/0 | Washing Cutting Deck Connection | |
| 2 | 2 | 119035000/0 | Or Ring | |
| 3 | 2 | 112500030/0 | Rivet | |
| 9 | 1 | 382108019/0 | Conveyor | |
| 10 | 2 | 325774373/0 | Clamp | |
| 11 | 1 | 325060152/0 | Right Belt Protection Carter | |
| 12 | 1 | 325060153/0 | Left Belt Protection | |
| 13 | 2 | 325774267/0 | Clamp | |
| 14 | 2 | 325774423/0 | Clamp | |
| 15 | 1 | 325774425/0 | Clamp | |
| 16 | 1 | 325774421/0 | Clamp | |



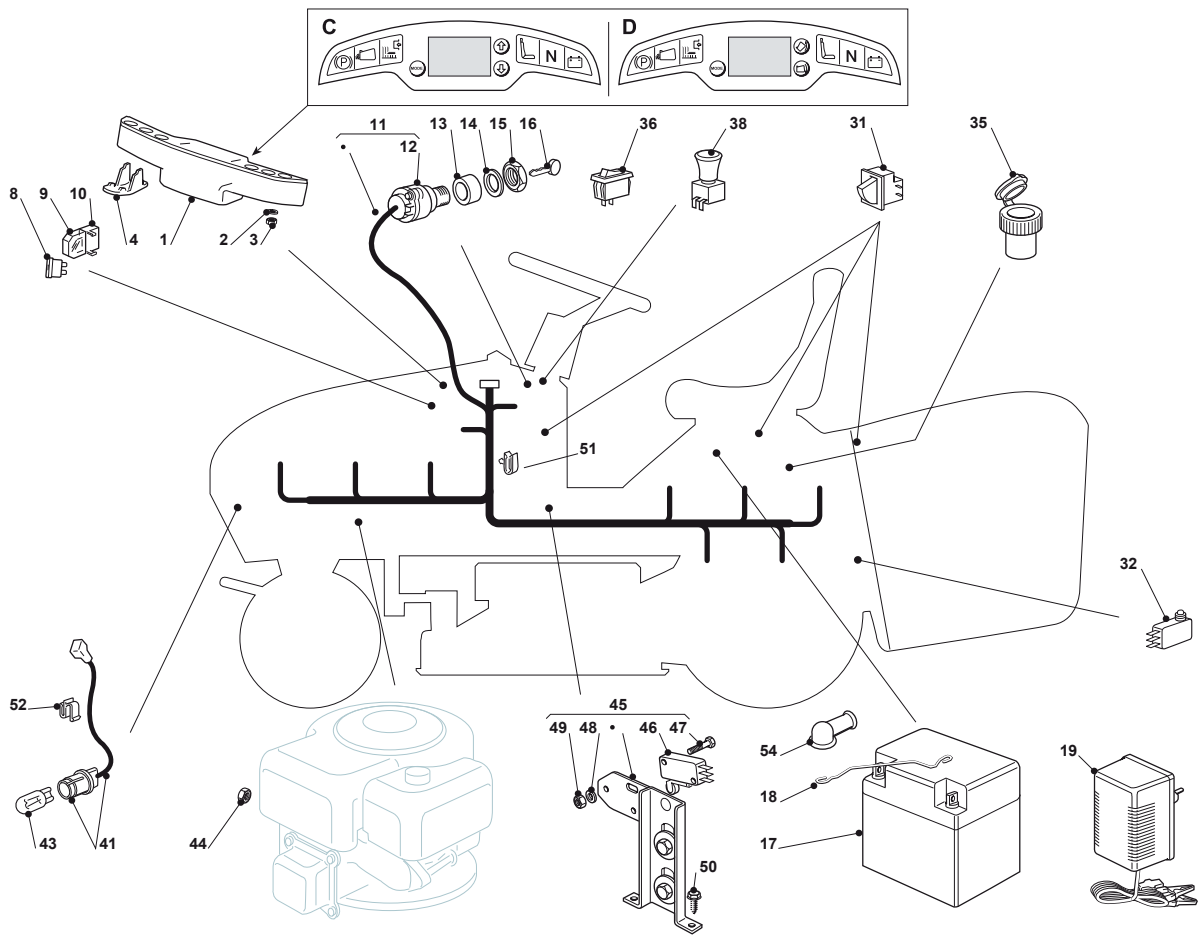
| Fig. | Q.ty | Part No | Description | Notes |
|------|------|-------------|-------------------------------------|-------|
| 1 | 1 | 382547051/0 | Plate | |
| 2 | 2 | 182774225/1 | Clamp | |
| 3 | 6 | 112793102/0 | Screw | |
| 4 | 6 | 112523060/0 | Washer | |
| 5 | 6 | 112293201/0 | Nut | |
| 11 | 1 | 325774417/0 | Clamp | |
| 12 | 1 | 325755031/1 | Bracket | |
| 13 | 1 | 125510080/1 | Pin | |
| 14 | 1 | 112292102/0 | Nut | |
| 15 | 1 | 112735122/0 | Screw | |
| 16 | 1 | 127430571/0 | Spring | |
| 21 | 1 | 125600041/0 | Grassc.Full Micro Protection | |
| 22 | 1 | 125600042/0 | Grasscatcher Micro Prot Cover | |
| 23 | 1 | 125318124/0 | Full Grassc. Microswtich Cover | |
| 24 | 1 | 112400030/0 | Pin | |
| 25 | 1 | 112728510/0 | Screw | |
| 26 | 1 | 325785272/0 | Micro Protection | |
| 27 | 1 | 125600048/0 | Empty Micro Grassc.Protection Cover | |
| 28 | 2 | 112728450/0 | Screw | |
| 31 | 4 | 118566110/0 | Push Rod | |
| 32 | 4 | 112735410/0 | Screw | |
| 33 | 2 | 112689500/0 | Screw | |
| 34 | 4 | 112521330/0 | Washer | |
| 35 | 4 | 112154510/0 | Nut | |
| 36 | 2 | 112815220/0 | Screw | |
| 37 | 2 | 112521330/0 | Washer | |
| 38 | 2 | 112154510/0 | Nut | |
| 71 | 1 | 382800123/1 | Upper Frame | |
| 72 | 1 | 382800089/1 | Front Frame | |
| 73 | 1 | 325800031/0 | Lower Frame | |
| 74 | 1 | 325547131/0 | Plate | |
| 75 | 1 | 382650039/0 | Lower Stiffening | |
| 75 | 1 | 382650043/0 | Lower Stiffening | |
| 76 | 6 | 112815220/0 | Screw | |
| 77 | 4 | 112815245/0 | Screw | |
| 78 | 10 | 112521330/0 | Washer | |
| 79 | 10 | 112154510/0 | Nut | |
| 80 | 1 | 125869029/1 | Grasscatcher Lifting Tube | |
| 81 | 1 | 125394508/0 | Knob | |
| 82 | 1 | 112674550/0 | Screw | |
| 83 | 1 | 112154510/0 | Nut | |
| 84 | 1 | 182105945/0 | Grasscatcher | |
| 86 | 1 | 325650159/0 | Rear Stiffening | |
| 91 | 1 | 382180116/0 | Outfit, Screws | |



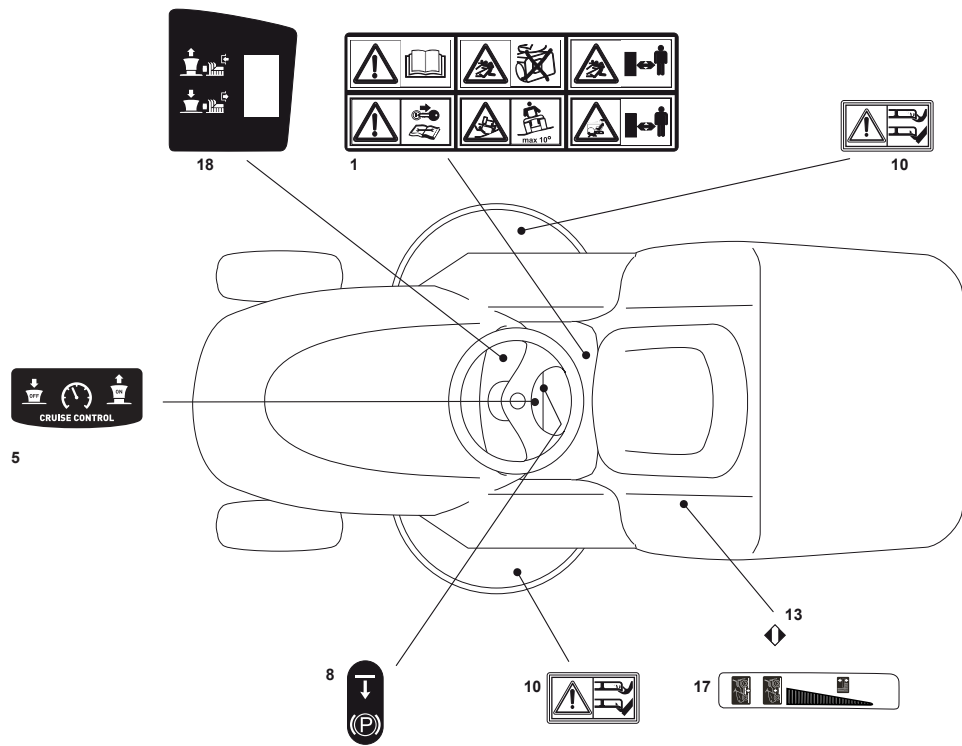
| Fig. | Q.ty | Part No | Description | Notes |
|------|------|-------------|-------------------------------------|-------|
| 1 | 1 | 382547053/0 | Plate | |
| 2 | 2 | 382774245/0 | Support | |
| 3 | 6 | 112793102/0 | Screw | |
| 4 | 6 | 112523060/0 | Washer | |
| 5 | 6 | 112293201/0 | Nut | |
| 11 | 1 | 325774417/0 | Clamp | |
| 12 | 1 | 325755031/1 | Bracket | |
| 13 | 1 | 125510080/1 | Pin | |
| 14 | 1 | 112292102/0 | Nut | |
| 15 | 1 | 112735122/0 | Screw | |
| 16 | 1 | 127430579/0 | Clutch Spring | |
| 21 | 1 | 125600041/0 | Grassc.Full Micro Protection | |
| 22 | 1 | 125600042/0 | Grasscatcher Micro Prot Cover | |
| 23 | 1 | 125318124/0 | Full Grassc. Microswtich Cover | |
| 24 | 1 | 112400030/0 | Pin | |
| 25 | 1 | 112728510/0 | Screw | |
| 26 | 1 | 325785272/0 | Micro Protection | |
| 27 | 1 | 125600048/0 | Empty Micro Grassc.Protection Cover | |
| 28 | 2 | 112728450/0 | Screw | |
| 31 | 4 | 118566110/0 | Push Rod | |
| 32 | 4 | 112735410/0 | Screw | |
| 33 | 2 | 112689500/0 | Screw | |
| 34 | 4 | 112521330/0 | Washer | |
| 35 | 4 | 112154510/0 | Nut | |
| 36 | 2 | 112815220/0 | Screw | |
| 37 | 2 | 112521330/0 | Washer | |
| 38 | 2 | 112154510/0 | Nut | |
| 41 | 1 | 82000507/0 | Axle | |
| 42 | 2 | 325774317/0 | Grasscatcher Lifting Axle Clam | |
| 43 | 4 | 112815210/0 | Screw | |
| 44 | 4 | 112154510/0 | Nut | |
| 45 | 1 | 118001000/0 | Actuator | |
| 46 | 1 | 125510083/0 | Pin | |
| 47 | 2 | 112000955/0 | Benzing Ring | |
| 48 | 1 | 325785197/0 | Actuator Support | |
| 49 | 1 | 325600060/0 | Protection | |
| 50 | 1 | 112727795/0 | Screw | |
| 51 | 1 | 112154330/0 | Nut | |
| 52 | 1 | 125510083/0 | Pin | |
| 53 | 2 | 112000955/0 | Benzing Ring | |
| 54 | 1 | 382650209/0 | Stiffening | |
| 55 | 1 | 125065030/0 | Connecting Cable | |
| 61 | 2 | 382785147/0 | Support | |
| 62 | 2 | 125690001/0 | Roll | |
| 63 | 2 | 112000956/0 | Benzing Ring | |
| 64 | 4 | 112818690/0 | Screw | |
| 65 | 4 | 112293201/0 | Nut | |
| 71 | 1 | 382800123/1 | Upper Frame | |
| 72 | 1 | 382800089/1 | Front Frame | |
| 73 | 1 | 325800031/0 | Lower Frame | |
| 74 | 1 | 325547131/0 | Plate | |



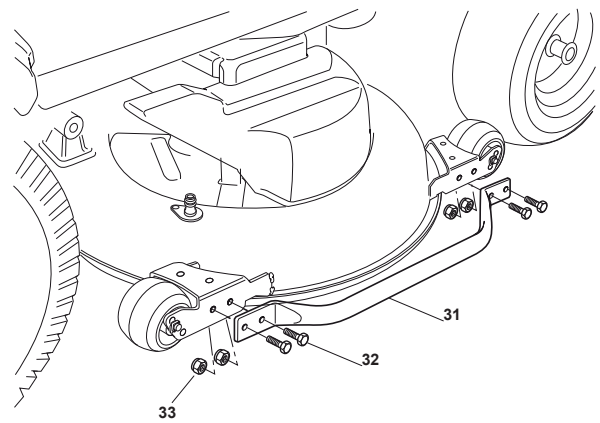
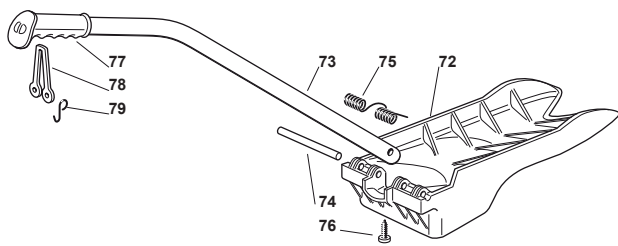
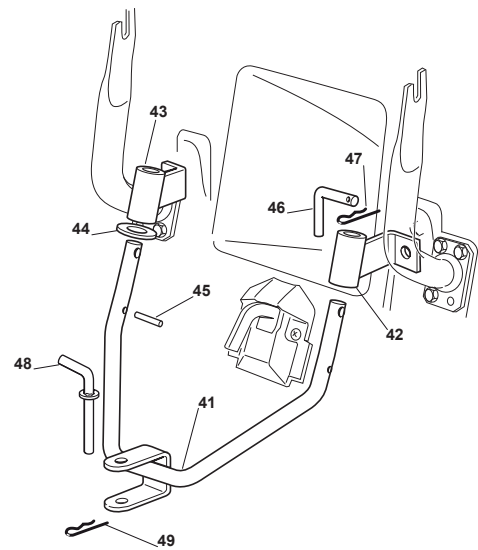
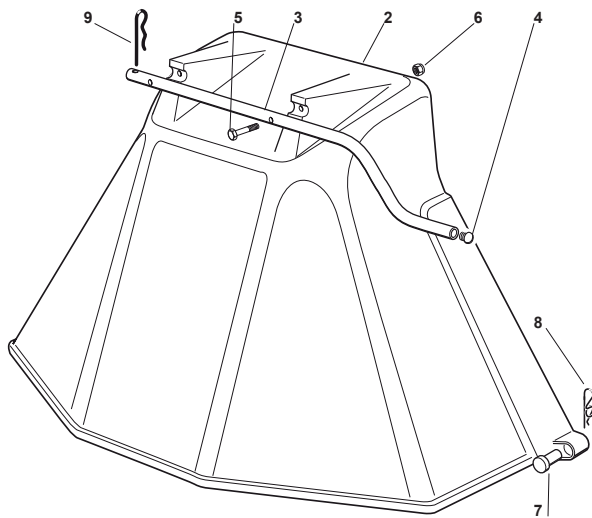
| Fig. | Q.ty | Part No | Description | Notes |
|------|------|-------------|---------------------------|-------|
| 75 | 1 | 382650039/0 | Lower Stiffening | |
| 75 | 1 | 382650043/0 | Lower Stiffening | |
| 76 | 6 | 112815220/0 | Screw | |
| 77 | 4 | 112815245/0 | Screw | |
| 78 | 10 | 112521330/0 | Washer | |
| 79 | 10 | 112154510/0 | Nut | |
| 80 | 1 | 125869029/1 | Grasscatcher Lifting Tube | |
| 81 | 1 | 125394508/0 | Knob | |
| 82 | 1 | 112674550/0 | Screw | |
| 83 | 1 | 112154510/0 | Nut | |
| 84 | 1 | 182105945/0 | Grasscatcher | |
| 85 | 1 | 325120232/0 | Cap | |
| 86 | 1 | 325650159/0 | Rear Stiffening | |
| 91 | 1 | 382180117/0 | Outfit, Screws | |



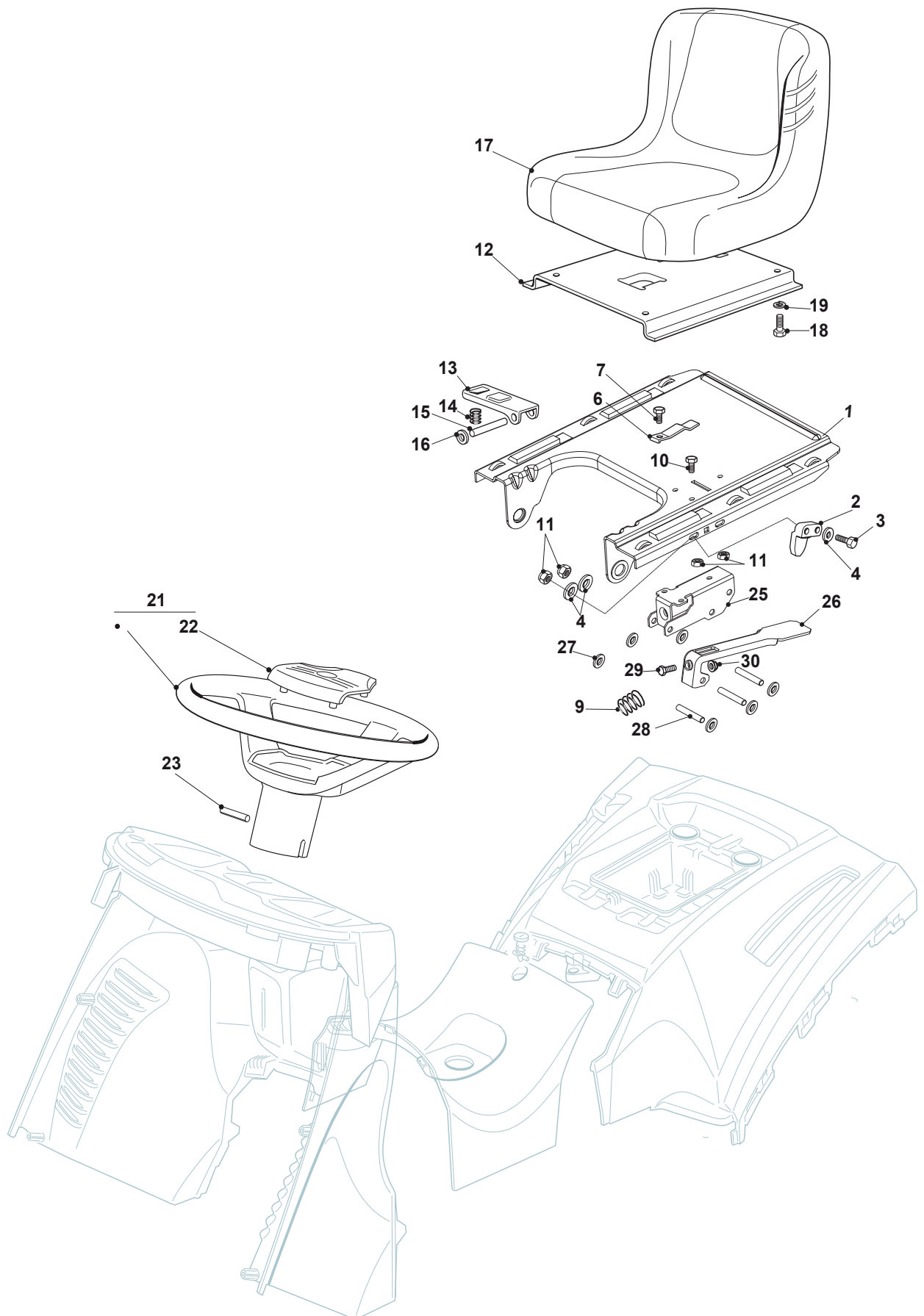
| Fig. | Q.ty | Part No | Description | Notes |
|------|------|--------------|--------------------------------|-------------------------------|
| 2 | 2 | 112521320/0 | Washer | |
| 3 | 2 | 112154330/0 | Nut | |
| 4 | 1 | 325031501/0 | Deflector | |
| 8 | 1 | 133340035/0 | Fuse 15 A | |
| 8 | 1 | 133340036/0 | Fuse 25 A | |
| 8 | 1 | 133340040/0 | Fuse 10 A | |
| 9 | 2 | 133215000/0 | Cover | |
| 9 | 3 | 133215000/0 | Cover | |
| 10 | 2 | 133500007/0 | Fuse Carrier | Manual Cutting Deck Lifting |
| 10 | 3 | 133500007/0 | Fuse Carrier | Electric Cutting Deck Lifting |
| 12 | 1 | 118450072/0 | Starting Switch | |
| 13 | 1 | 118550136/0 | Spacer | |
| 14 | 1 | 118550135/0 | Washer | |
| 15 | 1 | 118400862/0 | Ring Nut | |
| 16 | 1 | 118210022/0 | Starting Key | |
| 17 | 1 | 118120057/0 | Battery | |
| 18 | 1 | 125430230/0 | Spring | |
| 19 | 1 | 182180090/0 | Battery Charger | CE Plugg |
| 19 | 1 | 182180091/0 | Battery Charger | UK Plugg |
| 31 | 3 | 119410615/0 | Microswitch | |
| 32 | 1 | 119410605/1 | Microswitch | |
| 35 | 1 | 9400-0317-01 | Auxiliary Accessory Socket | |
| 36 | 1 | 118450060/1 | Headlight Interrupt. Cre1116-0 | |
| 38 | 1 | 118450068/0 | Switch | |
| 41 | 1 | 182040073/0 | Lamp Holder | |
| 43 | 2 | 118459100/0 | Lamp For Lights | |
| 44 | 1 | 112361005/0 | Nut | |
| 45 | 1 | 382394853/0 | Switch Ass.Y | |
| 46 | 1 | 119410609/0 | Microswitch | |
| 47 | 2 | 112735602/0 | Screw | |
| 48 | 2 | 112581100/0 | Grower | |
| 49 | 2 | 112290791/0 | Nut | |
| 50 | 2 | 112735110/0 | Screw | |
| 51 | 5 | 133320506/0 | Fairlead | |
| 52 | 1 | 133320504/0 | Fairlead | |
| 54 | 1 | 118564864/1 | Protection | |
| 1 | 1 | 382722433/0 | Cards + Guards (D) | |
| 1 | 1 | 382722434/0 | Cards + Guards (C) | |
| 11 | 1 | 182040205/0 | Cables Ass.Y | for B&S Engines |
| 11 | 1 | 182040209/0 | Cables Ass.Y | for Honda Engines |



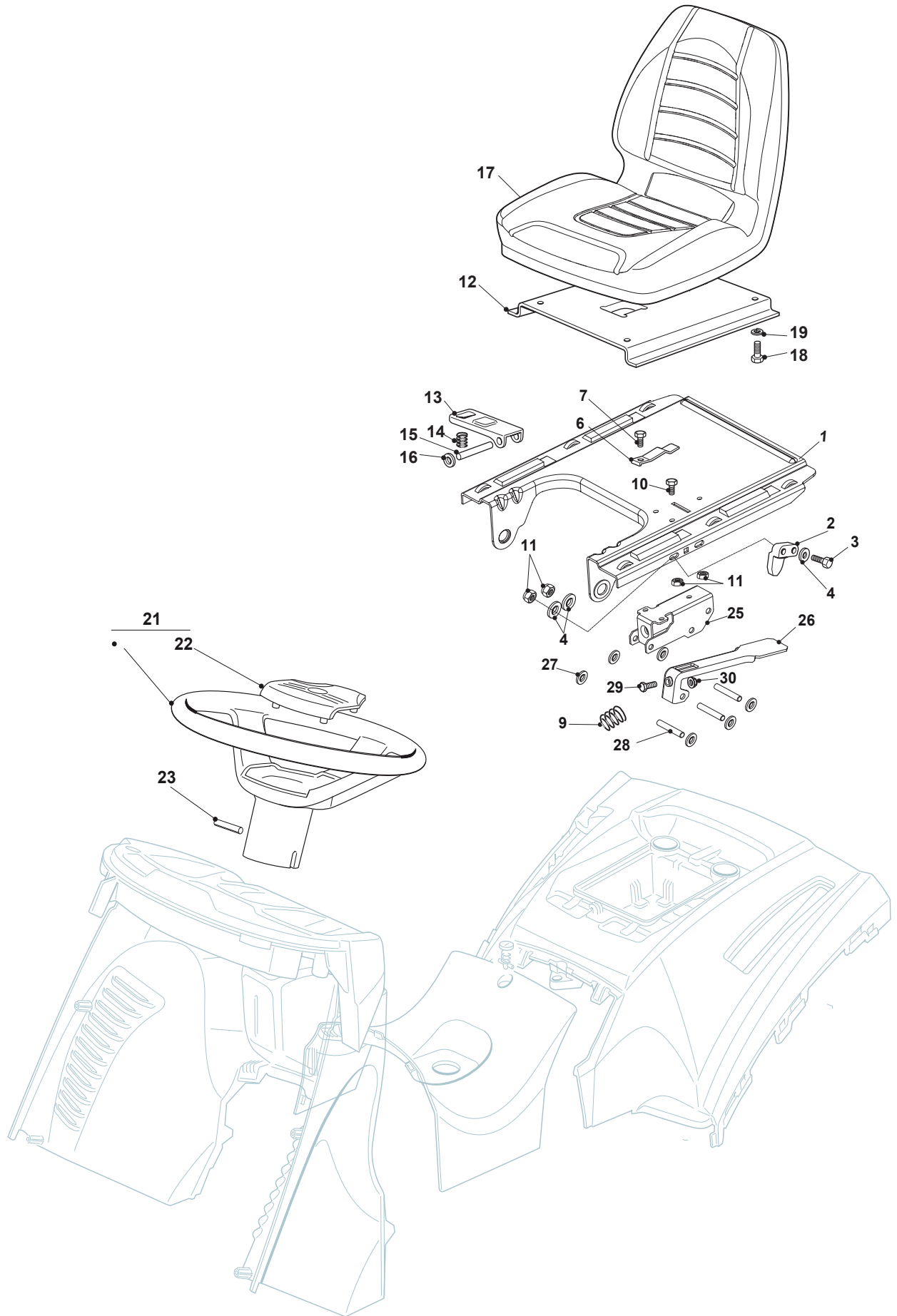
| Fig. | Q.ty | Part No | Description | Notes |
|------|------|-------------|-------------|-------|
| 1 | 1 | 114361553/1 | Label | |
| 5 | 1 | 114365612/0 | Label | |
| 8 | 1 | 114363700/0 | Label | |
| 10 | 2 | 114356699/1 | Label | |
| 13 | 1 | 114357913/0 | Label | |
| 17 | 1 | 114363414/0 | Label | |
| 18 | 1 | 114360715/2 | Label | |



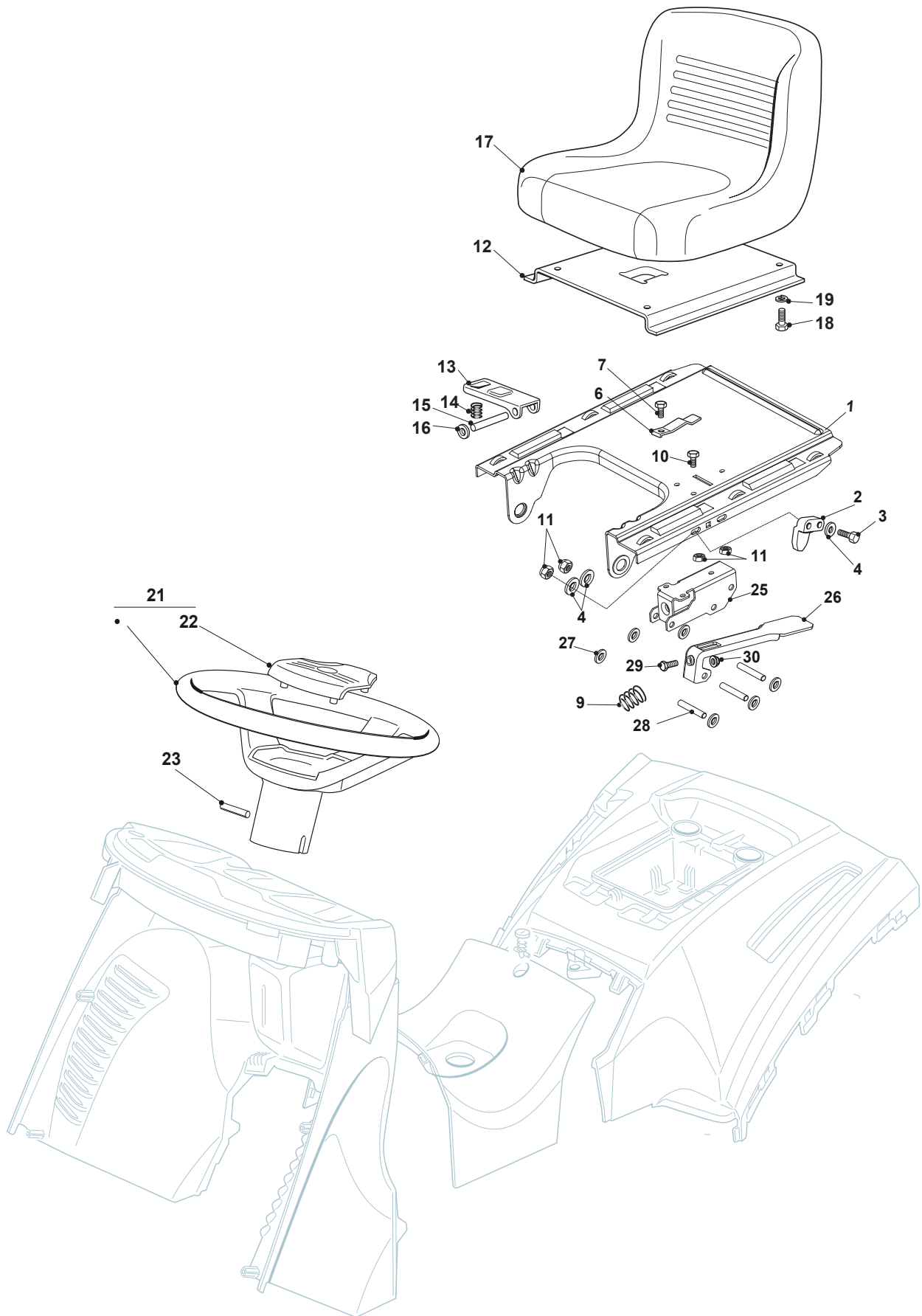
| Fig. | Q.ty | Part No | Description | Notes |
|------|------|-------------|-----------------------------|-------|
| 2 | 1 | 382400003/1 | Ejection Guard | |
| 3 | 1 | 325869043/0 | Rear Support | |
| 4 | 2 | 118566112/0 | Push Road | |
| 5 | 2 | 112689515/0 | Screw | |
| 6 | 2 | 112154510/0 | Nut | |
| 7 | 2 | 125510022/0 | Pin | |
| 8 | 2 | 124487998/0 | Cotter Pin | |
| 9 | 1 | 124487999/0 | Spring Pin | |
| 31 | 2 | 325869079/0 | Coupling Rod | |
| 32 | 8 | 112793102/0 | Screw | |
| 33 | 8 | 112155000/0 | Nut | |
| 41 | 1 | 382033113/0 | Rod | |
| 42 | 1 | 382774265/0 | Bracket Right Hitch Support | |
| 43 | 1 | 382774267/0 | Bracket Left Hitch Support | |
| 44 | 2 | 112521395/0 | Washer | |
| 45 | 2 | 112620305/0 | Elastic Pin | |
| 46 | 2 | 125510118/0 | Pin | |
| 47 | 2 | 124487997/0 | Cotter Pin | |
| 48 | 1 | 125510021/1 | Hitch Pin | |
| 49 | 1 | 124487999/0 | Spring Pin | |
| 72 | 1 | 125140092/0 | Mulching Deflector | |
| 73 | 1 | 325394019/0 | Handle | |
| 74 | 1 | 125510077/0 | Pin | |
| 75 | 1 | 125430245/0 | Spring | |
| 76 | 1 | 112735405/0 | Screw | |
| 77 | 1 | 325280000/1 | Handgrip | |
| 78 | 1 | 125840011/1 | Tie Rod | |
| 79 | 2 | 125253004/0 | Mulch.Kit Fixing Hook | |



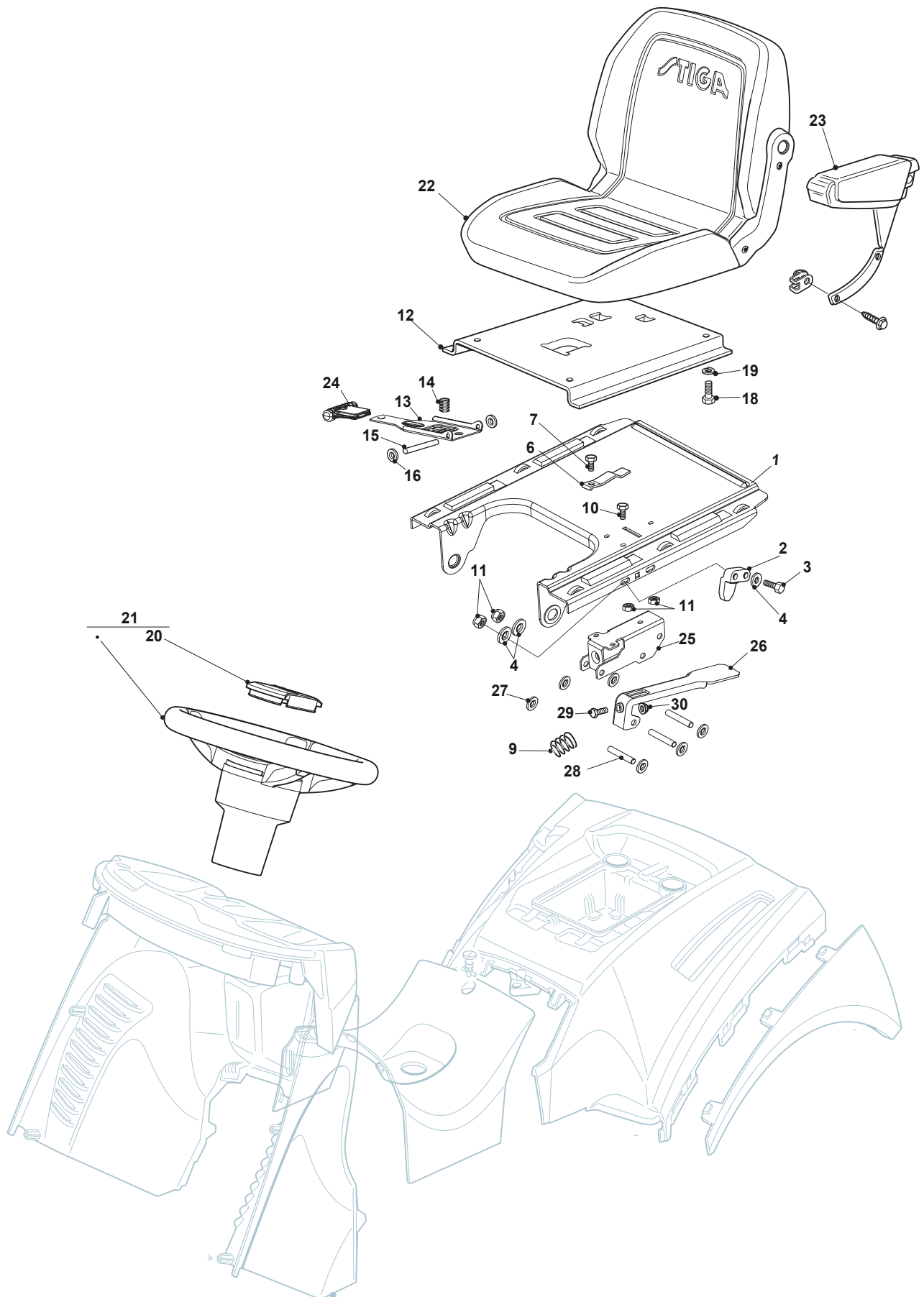
| Fig. | Q.ty | Part No | Description | Notes |
|------|------|-------------|--------------------|-------|
| 1 | 1 | 325785149/3 | Fixed Seat Support | |
| 2 | 1 | 325060049/0 | Seat Switch Cam | |
| 3 | 2 | 112815050/0 | Screw | |
| 4 | 4 | 112521320/0 | Washer | |
| 5 | 2 | 112154330/0 | Nut | |
| 6 | 1 | 125430203/1 | Spring | |
| 7 | 1 | 112731580/0 | Screw | |
| 9 | 1 | 125430285/0 | Spring | |
| 10 | 1 | 112789000/0 | Screw | |
| 11 | 1 | 112154330/0 | Nut | |
| 12 | 1 | 325785147/2 | Seat Support | |
| 13 | 1 | 325318109/1 | Stop Lever | |
| 14 | 1 | 125430202/1 | Spring | |
| 15 | 1 | 125510000/0 | Pin | |
| 16 | 2 | 112604897/0 | Elastic Washer | |
| 17 | 1 | 125722459/0 | Seat | |
| 18 | 4 | 112793102/0 | Screw | |
| 19 | 4 | 112583500/0 | Grower | |
| 21 | 1 | 125961214/1 | Steering Wheel | |
| 22 | 1 | 325580500/0 | Cap | |
| 23 | 1 | 112620299/0 | Elastic Pin | |
| 25 | 1 | 325774575/0 | Fulcrum Clamp | |
| 26 | 1 | 325318327/0 | Lever | |
| 27 | 6 | 112604896/0 | Crown Fastener | |
| 28 | 3 | 122517866/0 | Pin | |
| 29 | 1 | 112735661/0 | Screw | |
| 30 | 1 | 112154510/0 | Nut | |



| Fig. | Q.ty | Part No | Description | Notes |
|------|------|-------------|--------------------|-------|
| 1 | 1 | 325785149/3 | Fixed Seat Support | |
| 2 | 1 | 325060049/0 | Seat Switch Cam | |
| 3 | 2 | 112815050/0 | Screw | |
| 4 | 4 | 112521320/0 | Washer | |
| 5 | 2 | 112154330/0 | Nut | |
| 6 | 1 | 125430203/1 | Spring | |
| 7 | 1 | 112731580/0 | Screw | |
| 9 | 1 | 125430285/0 | Spring | |
| 10 | 1 | 112789000/0 | Screw | |
| 11 | 1 | 112154330/0 | Nut | |
| 12 | 1 | 325785147/2 | Seat Support | |
| 13 | 1 | 325318109/1 | Stop Lever | |
| 14 | 1 | 125430202/1 | Spring | |
| 15 | 1 | 125510000/0 | Pin | |
| 16 | 2 | 112604897/0 | Elastic Washer | |
| 17 | 1 | 125722476/0 | Seat | |
| 18 | 4 | 112793102/0 | Screw | |
| 19 | 4 | 112583500/0 | Grower | |
| 21 | 1 | 125961214/1 | Steering Wheel | |
| 22 | 1 | 325580500/0 | Cap | |
| 23 | 1 | 112620299/0 | Elastic Pin | |
| 25 | 1 | 325774575/0 | Fulcrum Clamp | |
| 26 | 1 | 325318327/0 | Lever | |
| 27 | 6 | 112604896/0 | Crown Fastener | |
| 28 | 3 | 122517866/0 | Pin | |
| 29 | 1 | 112735661/0 | Screw | |
| 30 | 1 | 112154510/0 | Nut | |



| Fig. | Q.ty | Part No | Description | Notes |
|------|------|-------------|--------------------------------|-------|
| 1 | 1 | 325785149/3 | Fixed Seat Support | |
| 2 | 1 | 325060049/0 | Seat Switch Cam | |
| 3 | 2 | 112815050/0 | Screw | |
| 4 | 4 | 112521320/0 | Washer | |
| 5 | 2 | 112372550/0 | Nut | |
| 6 | 1 | 125430203/1 | Spring | |
| 7 | 1 | 112731580/0 | Screw | |
| 9 | 1 | 125430285/0 | Spring | |
| 10 | 1 | 112789000/0 | Screw | |
| 11 | 1 | 112154330/0 | Nut | |
| 12 | 1 | 325785147/2 | Seat Support | |
| 13 | 1 | 325318109/1 | Stop Lever | |
| 14 | 1 | 125430202/1 | Spring | |
| 15 | 1 | 125510000/0 | Pin | |
| 16 | 2 | 112604897/0 | Elastic Washer | |
| 17 | 1 | 125722471/0 | Seat | |
| 18 | 4 | 112793102/0 | Screw | |
| 19 | 4 | 112583500/0 | Grower | |
| 21 | 1 | 125961217/1 | Coated Steering Wheel Black Tc | |
| 22 | 1 | 325580505/0 | Cap | |
| 23 | 1 | 112620299/0 | Elastic Pin | |
| 25 | 1 | 325774575/0 | Fulcrum Clamp | |
| 26 | 1 | 325318327/0 | Lever | |
| 27 | 6 | 112604896/0 | Crown Fastener | |
| 28 | 3 | 122517866/0 | Pin | |
| 29 | 1 | 112735661/0 | Screw | |
| 30 | 1 | 112154510/0 | Nut | |



| Fig. | Q.ty | Part No | Description | Notes |
|------|------|--------------|---------------------------|-------|
| 1 | 1 | 325785149/3 | Fixed Seat Support | |
| 2 | 1 | 325060049/0 | Seat Switch Cam | |
| 3 | 2 | 112815050/0 | Screw | |
| 4 | 4 | 112521320/0 | Washer | |
| 5 | 2 | 112372550/0 | Nut | |
| 6 | 1 | 125430203/1 | Spring | |
| 7 | 1 | 112731580/0 | Screw | |
| 9 | 1 | 125430285/0 | Spring | |
| 10 | 1 | 112789000/0 | Screw | |
| 11 | 1 | 112154330/0 | Nut | |
| 12 | 1 | 325785147/2 | Seat Support | |
| 13 | 1 | 325318303/0 | Stop Lever | |
| 14 | 1 | 125430202/1 | Spring | |
| 15 | 1 | 125510000/0 | Pin | |
| 16 | 2 | 112604897/0 | Elastic Washer | |
| 18 | 4 | 112793102/0 | Screw | |
| 19 | 4 | 112583500/0 | Grower | |
| 20 | 1 | 325580508/0 | Steering Plate Cover | |
| 21 | 1 | 325961222/1 | Steering wheel | |
| 22 | 1 | 125722479/0 | Seat | |
| 23 | 1 | 1134-7831-01 | Arm Rests Arm-Rest Assy | |
| 24 | 1 | 322394505/0 | Knob | |
| 25 | 1 | 325774575/0 | Fulcrum Clamp | |
| 26 | 1 | 325318327/0 | Lever | |
| 27 | 6 | 112604896/0 | Crown Fastener | |
| 28 | 3 | 122517866/0 | Pin | |
| 29 | 1 | 112735661/0 | Screw | |
| 30 | 1 | 112154510/0 | Nut | |

| code | pos. | q.ty | page | | | | | | | | |
|--------------|------|------|-------|-------------|----|---|-------|-------------|----|----|-------|
| 1134-5827-01 | 8 | 1 | p. 19 | 112155000/0 | 28 | 4 | p. 25 | 112360420/0 | 50 | 2 | p. 3 |
| 1134-5827-01 | 8 | 1 | p. 23 | 112155000/0 | 33 | 8 | p. 51 | 112361005/0 | 44 | 1 | p. 47 |
| 1134-7831-01 | 23 | 1 | p. 59 | 112155000/0 | 37 | 2 | p. 31 | 112372550/0 | 5 | 2 | p. 57 |
| 9400-0317-01 | 35 | 1 | p. 47 | 112155000/0 | 45 | 1 | p. 35 | 112372550/0 | 5 | 2 | p. 59 |
| 12793905/0 | 9 | 1 | p. 25 | 112155000/0 | 46 | 2 | p. 31 | 112379511/0 | 33 | 3 | p. 11 |
| 82000507/0 | 41 | 1 | p. 43 | 112155000/0 | 47 | 2 | p. 31 | 112400030/0 | 24 | 1 | p. 41 |
| 112000930/0 | 21 | 1 | p. 15 | 112155000/0 | 51 | 1 | p. 25 | 112400030/0 | 24 | 1 | p. 43 |
| 112000930/0 | 25 | 1 | p. 15 | 112155000/0 | 63 | 2 | p. 3 | 112436030/0 | 6 | 1 | p. 31 |
| 112000930/0 | 34 | 4 | p. 37 | 112155000/0 | 69 | 1 | p. 15 | 112436050/0 | 23 | 7 | p. 29 |
| 112000955/0 | 47 | 2 | p. 43 | 112155010/0 | 65 | 2 | p. 3 | 112436050/0 | 54 | 2 | p. 31 |
| 112000955/0 | 53 | 2 | p. 43 | 112155700/0 | 34 | 2 | p. 9 | 112436050/0 | 66 | 2 | p. 33 |
| 112000956/0 | 63 | 2 | p. 43 | 112156602/0 | 12 | 2 | p. 9 | 112437502/0 | 55 | 2 | p. 3 |
| 112001000/0 | 44 | 2 | p. 11 | 112156602/0 | 25 | 2 | p. 3 | 112500030/0 | 3 | 2 | p. 39 |
| 112001010/0 | 66 | 2 | p. 11 | 112156602/0 | 40 | 2 | p. 31 | 112500030/0 | 4 | 2 | p. 37 |
| 112001010/0 | 78 | 2 | p. 27 | 112156602/0 | 41 | 4 | p. 11 | 112500092/0 | 44 | 2 | p. 19 |
| 112139100/0 | 19 | 2 | p. 37 | 112156602/0 | 57 | 2 | p. 31 | 112500092/0 | 44 | 2 | p. 21 |
| 112139480/0 | 22 | 3 | p. 35 | 112156603/0 | 28 | 1 | p. 9 | 112500092/0 | 44 | 2 | p. 23 |
| 112154210/0 | 10 | 3 | p. 19 | 112156603/0 | 49 | 4 | p. 11 | 112521310/0 | 57 | 2 | p. 21 |
| 112154210/0 | 11 | 4 | p. 23 | 112290791/0 | 49 | 2 | p. 47 | 112521320/0 | 2 | 2 | p. 47 |
| 112154210/0 | 13 | 1 | p. 19 | 112290800/0 | 54 | 1 | p. 19 | 112521320/0 | 4 | 4 | p. 53 |
| 112154210/0 | 13 | 1 | p. 21 | 112290800/0 | 54 | 1 | p. 21 | 112521320/0 | 4 | 4 | p. 55 |
| 112154210/0 | 17 | 6 | p. 37 | 112290800/0 | 54 | 1 | p. 23 | 112521320/0 | 4 | 4 | p. 57 |
| 112154210/0 | 43 | 4 | p. 25 | 112290800/0 | 75 | 1 | p. 17 | 112521320/0 | 4 | 4 | p. 59 |
| 112154320/0 | 13 | 1 | p. 31 | 112292100/0 | 66 | 2 | p. 23 | 112521330/0 | 34 | 4 | p. 41 |
| 112154330/0 | 3 | 2 | p. 47 | 112292102/0 | 3 | 4 | p. 29 | 112521330/0 | 34 | 4 | p. 43 |
| 112154330/0 | 5 | 2 | p. 53 | 112292102/0 | 4 | 2 | p. 3 | 112521330/0 | 37 | 2 | p. 41 |
| 112154330/0 | 5 | 2 | p. 55 | 112292102/0 | 5 | 1 | p. 19 | 112521330/0 | 37 | 2 | p. 43 |
| 112154330/0 | 10 | 2 | p. 9 | 112292102/0 | 5 | 1 | p. 23 | 112521330/0 | 63 | 2 | p. 23 |
| 112154330/0 | 11 | 1 | p. 53 | 112292102/0 | 10 | 6 | p. 3 | 112521330/0 | 64 | 2 | p. 23 |
| 112154330/0 | 11 | 1 | p. 55 | 112292102/0 | 14 | 1 | p. 41 | 112521330/0 | 78 | 10 | p. 41 |
| 112154330/0 | 11 | 1 | p. 57 | 112292102/0 | 14 | 1 | p. 43 | 112521330/0 | 78 | 10 | p. 45 |
| 112154330/0 | 11 | 1 | p. 59 | 112292102/0 | 27 | 5 | p. 3 | 112521350/0 | 6 | 1 | p. 13 |
| 112154330/0 | 38 | 2 | p. 15 | 112292102/0 | 28 | 3 | p. 35 | 112521350/0 | 8 | 1 | p. 13 |
| 112154330/0 | 51 | 1 | p. 43 | 112292102/0 | 33 | 2 | p. 19 | 112521350/0 | 11 | 2 | p. 35 |
| 112154510/0 | 6 | 2 | p. 51 | 112292102/0 | 33 | 2 | p. 21 | 112521350/0 | 17 | 4 | p. 35 |
| 112154510/0 | 13 | 2 | p. 13 | 112292102/0 | 33 | 2 | p. 23 | 112521350/0 | 20 | 1 | p. 15 |
| 112154510/0 | 16 | 4 | p. 15 | 112292102/0 | 42 | 2 | p. 15 | 112521350/0 | 24 | 1 | p. 15 |
| 112154510/0 | 23 | 4 | p. 31 | 112292102/0 | 44 | 8 | p. 3 | 112521350/0 | 36 | 4 | p. 31 |
| 112154510/0 | 24 | 2 | p. 13 | 112292102/0 | 44 | 8 | p. 3 | 112521350/0 | 36 | 4 | p. 31 |
| 112154510/0 | 30 | 1 | p. 53 | 112292102/0 | 63 | 2 | p. 15 | 112521350/0 | 45 | 2 | p. 31 |
| 112154510/0 | 30 | 1 | p. 55 | 112292102/0 | 63 | 2 | p. 19 | 112521350/0 | 50 | 2 | p. 25 |
| 112154510/0 | 30 | 1 | p. 57 | 112292102/0 | 63 | 2 | p. 21 | 112521350/0 | 67 | 2 | p. 33 |
| 112154510/0 | 30 | 1 | p. 59 | 112293200/0 | 14 | 1 | p. 23 | 112521360/0 | 11 | 2 | p. 9 |
| 112154510/0 | 33 | 1 | p. 15 | 112293200/0 | 15 | 2 | p. 25 | 112521360/0 | 24 | 2 | p. 3 |
| 112154510/0 | 35 | 1 | p. 15 | 112293200/0 | 20 | 1 | p. 3 | 112521370/0 | 27 | 1 | p. 9 |
| 112154510/0 | 35 | 4 | p. 41 | 112293200/0 | 20 | 1 | p. 35 | 112521370/0 | 36 | 4 | p. 9 |
| 112154510/0 | 35 | 4 | p. 43 | 112293200/0 | 48 | 2 | p. 31 | 112521395/0 | 26 | 1 | p. 9 |
| 112154510/0 | 38 | 2 | p. 41 | 112293201/0 | 3 | 2 | p. 31 | 112521395/0 | 36 | 3 | p. 11 |
| 112154510/0 | 38 | 2 | p. 43 | 112293201/0 | 3 | 4 | p. 35 | 112521395/0 | 44 | 2 | p. 51 |
| 112154510/0 | 44 | 4 | p. 43 | 112293201/0 | 5 | 6 | p. 41 | 112521410/0 | 75 | 4 | p. 27 |
| 112154510/0 | 79 | 10 | p. 41 | 112293201/0 | 5 | 6 | p. 43 | 112522050/0 | 33 | 4 | p. 9 |
| 112154510/0 | 79 | 10 | p. 45 | 112293201/0 | 6 | 2 | p. 29 | 112523030/0 | 15 | 4 | p. 3 |
| 112154510/0 | 83 | 1 | p. 41 | 112293201/0 | 14 | 2 | p. 5 | 112523040/0 | 3 | 4 | p. 3 |
| 112154510/0 | 83 | 1 | p. 45 | 112293201/0 | 14 | 2 | p. 7 | 112523040/0 | 10 | 4 | p. 15 |
| 112155000/0 | 5 | 2 | p. 15 | 112293201/0 | 18 | 2 | p. 3 | 112523040/0 | 12 | 2 | p. 13 |
| 112155000/0 | 7 | 1 | p. 13 | 112293201/0 | 22 | 2 | p. 3 | 112523040/0 | 14 | 4 | p. 3 |
| 112155000/0 | 9 | 1 | p. 13 | 112293201/0 | 26 | 4 | p. 23 | 112523040/0 | 22 | 4 | p. 31 |
| 112155000/0 | 10 | 1 | p. 25 | 112293201/0 | 46 | 1 | p. 25 | 112523040/0 | 23 | 1 | p. 13 |
| 112155000/0 | 13 | 1 | p. 25 | 112293201/0 | 48 | 1 | p. 25 | 112523040/0 | 32 | 1 | p. 13 |
| 112155000/0 | 18 | 4 | p. 35 | 112293201/0 | 49 | 2 | p. 3 | 112523040/0 | 34 | 2 | p. 15 |
| 112155000/0 | 19 | 1 | p. 25 | 112293201/0 | 65 | 4 | p. 43 | 112523060/0 | 4 | 6 | p. 41 |
| 112155000/0 | 23 | 2 | p. 25 | 112295200/0 | 20 | 1 | p. 31 | 112523060/0 | 4 | 6 | p. 43 |
| 112155000/0 | 24 | 3 | p. 9 | 112295200/0 | 39 | 4 | p. 31 | 112523060/0 | 13 | 2 | p. 23 |
| 112155000/0 | 28 | 1 | p. 13 | 112295200/0 | 59 | 2 | p. 31 | 112523060/0 | 15 | 1 | p. 9 |
| | | | | 112295200/0 | 37 | 1 | p. 11 | 112523060/0 | 18 | 1 | p. 25 |
| | | | | 112360352/0 | 64 | 2 | p. 19 | 112523060/0 | 22 | 1 | p. 25 |
| | | | | 112360352/0 | 64 | 2 | p. 21 | 112523060/0 | 23 | 3 | p. 9 |

| code | pos. | q.ty | page | | | | | | | | | |
|-------------|------|------|-------|-------------|----|---|-------|-------------|----|---|-------|--|
| 112523060/0 | 26 | 4 | p. 25 | 112691115/0 | 27 | 2 | p. 25 | 112735661/0 | 29 | 1 | p. 57 | |
| 112523060/0 | 29 | 1 | p. 35 | 112691115/0 | 31 | 2 | p. 25 | 112735661/0 | 29 | 1 | p. 59 | |
| 112523060/0 | 32 | 1 | p. 15 | 112691115/0 | 49 | 1 | p. 25 | 112735694/0 | 24 | 1 | p. 37 | |
| 112523060/0 | 44 | 1 | p. 35 | 112691115/0 | 62 | 2 | p. 3 | 112735695/1 | 25 | 1 | p. 37 | |
| 112523060/0 | 67 | 1 | p. 15 | 112691200/0 | 12 | 1 | p. 23 | 112737320/0 | 5 | 1 | p. 25 | |
| 112523070/0 | 40 | 1 | p. 35 | 112691200/0 | 16 | 3 | p. 35 | 112760585/0 | 35 | 4 | p. 9 | |
| 112523070/0 | 46 | 2 | p. 3 | 112691400/0 | 33 | 1 | p. 25 | 112760600/0 | 9 | 1 | p. 31 | |
| 112523070/0 | 66 | 2 | p. 3 | 112691700/0 | 15 | 1 | p. 35 | 112788512/0 | 55 | 2 | p. 19 | |
| 112523080/0 | 23 | 2 | p. 37 | 112691700/0 | 35 | 2 | p. 31 | 112788512/0 | 55 | 2 | p. 21 | |
| 112523080/0 | 40 | 4 | p. 11 | 112691800/0 | 13 | 1 | p. 9 | 112788910/0 | 7 | 2 | p. 9 | |
| 112523090/0 | 61 | 2 | p. 33 | 112691800/0 | 42 | 4 | p. 25 | 112788910/0 | 43 | 2 | p. 19 | |
| 112540260/0 | 10 | 1 | p. 23 | 112695900/0 | 35 | 1 | p. 11 | 112788910/0 | 43 | 2 | p. 21 | |
| 112540260/0 | 12 | 1 | p. 19 | 112726388/0 | 53 | 1 | p. 19 | 112788910/0 | 43 | 2 | p. 23 | |
| 112540260/0 | 12 | 1 | p. 21 | 112726388/0 | 53 | 1 | p. 21 | 112789000/0 | 10 | 1 | p. 53 | |
| 112540260/0 | 23 | 2 | p. 19 | 112726388/0 | 53 | 1 | p. 23 | 112789000/0 | 10 | 1 | p. 55 | |
| 112540260/0 | 23 | 2 | p. 21 | 112726389/0 | 74 | 1 | p. 15 | 112789000/0 | 10 | 1 | p. 57 | |
| 112540260/0 | 23 | 2 | p. 23 | 112727795/0 | 50 | 1 | p. 43 | 112789000/0 | 10 | 1 | p. 59 | |
| 112543000/0 | 6 | 1 | p. 25 | 112727815/0 | 35 | 1 | p. 13 | 112789100/0 | 37 | 2 | p. 15 | |
| 112581100/0 | 48 | 2 | p. 47 | 112728440/0 | 24 | 4 | p. 5 | 112789195/0 | 12 | 1 | p. 31 | |
| 112581200/0 | 56 | 2 | p. 21 | 112728440/0 | 24 | 4 | p. 7 | 112790781/0 | 4 | 1 | p. 19 | |
| 112582100/0 | 65 | 2 | p. 23 | 112728450/0 | 28 | 2 | p. 41 | 112790781/0 | 4 | 1 | p. 23 | |
| 112583500/0 | 12 | 2 | p. 35 | 112728450/0 | 28 | 2 | p. 43 | 112791011/0 | 2 | 4 | p. 29 | |
| 112583500/0 | 14 | 1 | p. 9 | 112728510/0 | 25 | 1 | p. 41 | 112791011/0 | 26 | 5 | p. 3 | |
| 112583500/0 | 19 | 4 | p. 53 | 112728510/0 | 25 | 1 | p. 43 | 112791011/0 | 32 | 2 | p. 19 | |
| 112583500/0 | 19 | 4 | p. 55 | 112728686/0 | 56 | 2 | p. 5 | 112791011/0 | 32 | 2 | p. 21 | |
| 112583500/0 | 19 | 4 | p. 57 | 112728686/0 | 56 | 2 | p. 7 | 112791011/0 | 32 | 2 | p. 23 | |
| 112583500/0 | 19 | 4 | p. 59 | 112728689/0 | 13 | 4 | p. 3 | 112791011/0 | 43 | 8 | p. 3 | |
| 112583500/0 | 25 | 1 | p. 35 | 112731580/0 | 7 | 1 | p. 53 | 112791011/0 | 62 | 2 | p. 19 | |
| 112583500/0 | 27 | 4 | p. 19 | 112731580/0 | 7 | 1 | p. 55 | 112791011/0 | 62 | 2 | p. 21 | |
| 112583500/0 | 27 | 4 | p. 21 | 112731580/0 | 7 | 1 | p. 57 | 112791400/0 | 9 | 6 | p. 3 | |
| 112583500/0 | 35 | 1 | p. 35 | 112731580/0 | 7 | 1 | p. 59 | 112791400/0 | 41 | 2 | p. 15 | |
| 112583500/0 | 39 | 1 | p. 35 | 112731580/0 | 12 | 4 | p. 5 | 112791500/0 | 62 | 2 | p. 23 | |
| 112604896/0 | 27 | 6 | p. 53 | 112731580/0 | 12 | 4 | p. 7 | 112792611/0 | 2 | 4 | p. 35 | |
| 112604896/0 | 27 | 6 | p. 55 | 112731580/0 | 29 | 1 | p. 3 | 112792611/0 | 21 | 1 | p. 3 | |
| 112604896/0 | 27 | 6 | p. 57 | 112731601/0 | 4 | 4 | p. 13 | 112792611/0 | 47 | 1 | p. 25 | |
| 112604896/0 | 27 | 6 | p. 59 | 112731601/0 | 8 | 4 | p. 15 | 112793102/0 | 3 | 6 | p. 41 | |
| 112604896/0 | 56 | 3 | p. 27 | 112734995/0 | 93 | 4 | p. 5 | 112793102/0 | 3 | 6 | p. 43 | |
| 112604897/0 | 16 | 2 | p. 53 | 112734995/0 | 93 | 4 | p. 7 | 112793102/0 | 5 | 2 | p. 29 | |
| 112604897/0 | 16 | 2 | p. 55 | 112735108/1 | 10 | 4 | p. 21 | 112793102/0 | 10 | 2 | p. 35 | |
| 112604897/0 | 16 | 2 | p. 57 | 112735108/1 | 16 | 4 | p. 9 | 112793102/0 | 17 | 2 | p. 3 | |
| 112604897/0 | 16 | 2 | p. 59 | 112735110/0 | 7 | 2 | p. 3 | 112793102/0 | 18 | 4 | p. 53 | |
| 112604899/0 | 18 | 1 | p. 29 | 112735110/0 | 8 | 2 | p. 3 | 112793102/0 | 18 | 4 | p. 55 | |
| 112609200/0 | 8 | 2 | p. 35 | 112735110/0 | 31 | 6 | p. 35 | 112793102/0 | 18 | 4 | p. 57 | |
| 112609255/0 | 50 | 2 | p. 31 | 112735110/0 | 50 | 2 | p. 47 | 112793102/0 | 18 | 4 | p. 59 | |
| 112609260/0 | 15 | 2 | p. 37 | 112735110/0 | 54 | 2 | p. 3 | 112793102/0 | 23 | 1 | p. 35 | |
| 112610800/0 | 7 | 2 | p. 35 | 112735120/0 | 45 | 1 | p. 25 | 112793102/0 | 32 | 8 | p. 51 | |
| 112620206/0 | 15 | 2 | p. 29 | 112735122/0 | 15 | 1 | p. 41 | 112793102/0 | 33 | 1 | p. 35 | |
| 112620299/0 | 23 | 1 | p. 53 | 112735122/0 | 15 | 1 | p. 43 | 112793102/0 | 38 | 1 | p. 35 | |
| 112620299/0 | 23 | 1 | p. 55 | 112735402/0 | 57 | 4 | p. 5 | 112793301/0 | 3 | 2 | p. 15 | |
| 112620299/0 | 23 | 1 | p. 57 | 112735402/0 | 57 | 4 | p. 7 | 112793301/0 | 22 | 2 | p. 19 | |
| 112620305/0 | 45 | 2 | p. 51 | 112735403/0 | 7 | 6 | p. 5 | 112793301/0 | 22 | 2 | p. 21 | |
| 112622650/0 | 4 | 1 | p. 9 | 112735403/0 | 7 | 6 | p. 7 | 112793301/0 | 22 | 2 | p. 23 | |
| 112674550/0 | 2 | 2 | p. 3 | 112735403/0 | 10 | 5 | p. 5 | 112793900/0 | 19 | 1 | p. 35 | |
| 112674550/0 | 82 | 1 | p. 41 | 112735403/0 | 10 | 5 | p. 7 | 112794300/0 | 23 | 2 | p. 3 | |
| 112674550/0 | 82 | 1 | p. 45 | 112735403/0 | 22 | 7 | p. 5 | 112794985/0 | 58 | 2 | p. 31 | |
| 112689500/0 | 33 | 2 | p. 41 | 112735403/0 | 22 | 7 | p. 7 | 112815050/0 | 3 | 2 | p. 53 | |
| 112689500/0 | 33 | 2 | p. 43 | 112735403/0 | 79 | 4 | p. 5 | 112815050/0 | 3 | 2 | p. 55 | |
| 112689515/0 | 5 | 2 | p. 51 | 112735403/0 | 79 | 4 | p. 7 | 112815050/0 | 3 | 2 | p. 57 | |
| 112691100/0 | 9 | 3 | p. 19 | 112735405/0 | 76 | 1 | p. 51 | 112815050/0 | 3 | 2 | p. 59 | |
| 112691100/0 | 19 | 1 | p. 3 | 112735410/0 | 32 | 4 | p. 41 | 112815200/0 | 27 | 3 | p. 35 | |
| 112691100/0 | 22 | 3 | p. 9 | 112735410/0 | 32 | 4 | p. 43 | 112815210/0 | 11 | 2 | p. 13 | |
| 112691100/0 | 66 | 1 | p. 15 | 112735530/0 | 26 | 4 | p. 19 | 112815210/0 | 22 | 2 | p. 13 | |
| 112691115/0 | 11 | 1 | p. 19 | 112735530/0 | 26 | 4 | p. 21 | 112815210/0 | 43 | 4 | p. 43 | |
| 112691115/0 | 11 | 1 | p. 21 | 112735602/0 | 47 | 2 | p. 47 | 112815210/0 | 62 | 2 | p. 15 | |
| | | | | 112735661/0 | 29 | 1 | p. 53 | 112815220/0 | 36 | 2 | p. 41 | |
| | | | | 112735661/0 | 29 | 1 | p. 55 | 112815220/0 | 36 | 2 | p. 43 | |

| code | pos. | q.ty | page | | | | | | | | | | | | | | | | | |
|-------------|------|------|-------|-------------|----|---|-------|-------------|----|---|-------|--|--|--|--|--|--|--|--|--|
| 112815220/0 | 76 | 6 | p. 41 | 119410614/0 | 43 | 1 | p. 15 | 125290002/0 | 45 | 1 | p. 23 | | | | | | | | | |
| 112815220/0 | 76 | 6 | p. 45 | 119410615/0 | 31 | 3 | p. 47 | 125318124/0 | 23 | 1 | p. 41 | | | | | | | | | |
| 112815245/0 | 77 | 4 | p. 41 | 122034523/0 | 8 | 2 | p. 29 | 125318124/0 | 23 | 1 | p. 43 | | | | | | | | | |
| 112815245/0 | 77 | 4 | p. 45 | 122160400/0 | 22 | 2 | p. 37 | 125394501/0 | 52 | 1 | p. 21 | | | | | | | | | |
| 112815271/0 | 15 | 4 | p. 15 | 122170600/0 | 11 | 1 | p. 31 | 125394504/1 | 13 | 1 | p. 29 | | | | | | | | | |
| 112815271/0 | 21 | 4 | p. 31 | 122450115/0 | 33 | 4 | p. 37 | 125394508/0 | 81 | 1 | p. 41 | | | | | | | | | |
| 112818690/0 | 2 | 2 | p. 31 | 122517866/0 | 28 | 3 | p. 53 | 125394508/0 | 81 | 1 | p. 45 | | | | | | | | | |
| 112818690/0 | 64 | 4 | p. 43 | 122517866/0 | 28 | 3 | p. 55 | 125430202/1 | 14 | 1 | p. 53 | | | | | | | | | |
| 112818700/0 | 16 | 6 | p. 37 | 122517866/0 | 28 | 3 | p. 57 | 125430202/1 | 14 | 1 | p. 55 | | | | | | | | | |
| 112818900/0 | 43 | 1 | p. 35 | 122517866/0 | 28 | 3 | p. 59 | 125430202/1 | 14 | 1 | p. 57 | | | | | | | | | |
| 112819280/0 | 39 | 4 | p. 11 | 122524970/2 | 26 | 1 | p. 13 | 125430202/1 | 14 | 1 | p. 59 | | | | | | | | | |
| 112819600/0 | 25 | 1 | p. 9 | 122524970/2 | 64 | 2 | p. 3 | 125430203/1 | 6 | 1 | p. 53 | | | | | | | | | |
| 114356699/1 | 10 | 2 | p. 49 | 124487995/0 | 71 | 1 | p. 15 | 125430203/1 | 6 | 1 | p. 55 | | | | | | | | | |
| 114357913/0 | 13 | 1 | p. 49 | 124487997/0 | 30 | 1 | p. 13 | 125430203/1 | 6 | 1 | p. 57 | | | | | | | | | |
| 114360715/2 | 18 | 1 | p. 49 | 124487997/0 | 47 | 2 | p. 51 | 125430203/1 | 6 | 1 | p. 59 | | | | | | | | | |
| 114360716/0 | 59 | 1 | p. 23 | 124487997/0 | 57 | 1 | p. 27 | 125430205/1 | 47 | 2 | p. 3 | | | | | | | | | |
| 114360717/0 | 59 | 1 | p. 19 | 124487998/0 | 8 | 2 | p. 51 | 125430208/0 | 19 | 1 | p. 29 | | | | | | | | | |
| 114360717/0 | 59 | 1 | p. 21 | 124487998/0 | 15 | 1 | p. 5 | 125430210/1 | 2 | 1 | p. 25 | | | | | | | | | |
| 114361553/1 | 1 | 1 | p. 49 | 124487998/0 | 15 | 1 | p. 7 | 125430213/0 | 31 | 1 | p. 13 | | | | | | | | | |
| 114363414/0 | 17 | 1 | p. 49 | 124487998/0 | 42 | 2 | p. 31 | 125430218/1 | 24 | 1 | p. 29 | | | | | | | | | |
| 114363429/0 | 58 | 1 | p. 27 | 124487998/0 | 62 | 2 | p. 33 | 125430219/0 | 16 | 1 | p. 25 | | | | | | | | | |
| 114363700/0 | 8 | 1 | p. 49 | 124487999/0 | 9 | 1 | p. 51 | 125430230/0 | 18 | 1 | p. 47 | | | | | | | | | |
| 114365612/0 | 5 | 1 | p. 49 | 124487999/0 | 49 | 1 | p. 51 | 125430232/0 | 72 | 1 | p. 15 | | | | | | | | | |
| 118001000/0 | 45 | 1 | p. 43 | 125020800/1 | 10 | 1 | p. 37 | 125430238/1 | 28 | 1 | p. 3 | | | | | | | | | |
| 118120057/0 | 17 | 1 | p. 47 | 125020801/2 | 11 | 1 | p. 37 | 125430239/1 | 3 | 1 | p. 19 | | | | | | | | | |
| 118210022/0 | 16 | 1 | p. 47 | 125033002/1 | 12 | 1 | p. 29 | 125430239/1 | 3 | 1 | p. 23 | | | | | | | | | |
| 118375051/1 | 2 | 2 | p. 19 | 125033060/0 | 1 | 2 | p. 39 | 125430245/0 | 75 | 1 | p. 51 | | | | | | | | | |
| 118375051/1 | 2 | 2 | p. 21 | 125033060/0 | 2 | 2 | p. 37 | 125430246/1 | 6 | 1 | p. 15 | | | | | | | | | |
| 118375051/1 | 2 | 2 | p. 23 | 125033079/0 | 55 | 1 | p. 25 | 125430285/0 | 9 | 1 | p. 53 | | | | | | | | | |
| 118399062/0 | 1 | 1 | p. 25 | 125033092/0 | 70 | 1 | p. 15 | 125430285/0 | 9 | 1 | p. 55 | | | | | | | | | |
| 118400862/0 | 15 | 1 | p. 47 | 125033097/0 | 29 | 1 | p. 13 | 125430285/0 | 9 | 1 | p. 57 | | | | | | | | | |
| 118400950/1 | 41 | 1 | p. 25 | 125038000/0 | 14 | 4 | p. 35 | 125430285/0 | 9 | 1 | p. 59 | | | | | | | | | |
| 118401001/1 | 8 | 1 | p. 21 | 125038002/1 | 7 | 2 | p. 25 | 125463200/0 | 18 | 2 | p. 37 | | | | | | | | | |
| 118450060/1 | 36 | 1 | p. 47 | 125040605/0 | 33 | 4 | p. 31 | 125510000/0 | 15 | 1 | p. 53 | | | | | | | | | |
| 118450068/0 | 38 | 1 | p. 47 | 125040632/0 | 32 | 4 | p. 11 | 125510000/0 | 15 | 1 | p. 55 | | | | | | | | | |
| 118450072/0 | 12 | 1 | p. 47 | 125040633/0 | 34 | 2 | p. 11 | 125510000/0 | 15 | 1 | p. 57 | | | | | | | | | |
| 118459100/0 | 43 | 2 | p. 47 | 125040638/0 | 64 | 1 | p. 15 | 125510000/0 | 15 | 1 | p. 59 | | | | | | | | | |
| 118550135/0 | 14 | 1 | p. 47 | 125040641/0 | 18 | 1 | p. 9 | 125510011/0 | 17 | 1 | p. 29 | | | | | | | | | |
| 118550136/0 | 13 | 1 | p. 47 | 125060101/2 | 30 | 1 | p. 35 | 125510021/1 | 48 | 1 | p. 51 | | | | | | | | | |
| 118564861/1 | 66 | 1 | p. 19 | 125065002/0 | 65 | 1 | p. 19 | 125510022/0 | 7 | 2 | p. 51 | | | | | | | | | |
| 118564861/1 | 66 | 1 | p. 21 | 125065002/0 | 65 | 1 | p. 21 | 125510028/1 | 9 | 4 | p. 23 | | | | | | | | | |
| 118564864/1 | 54 | 1 | p. 47 | 125065030/0 | 55 | 1 | p. 43 | 125510036/2 | 21 | 1 | p. 25 | | | | | | | | | |
| 118566110/0 | 31 | 4 | p. 41 | 125090005/0 | 58 | 1 | p. 21 | 125510040/1 | 11 | 1 | p. 25 | | | | | | | | | |
| 118566110/0 | 31 | 4 | p. 43 | 125090007/0 | 58 | 1 | p. 23 | 125510048/1 | 52 | 2 | p. 31 | | | | | | | | | |
| 118566112/0 | 4 | 2 | p. 51 | 125109521/1 | 29 | 3 | p. 25 | 125510048/1 | 64 | 1 | p. 33 | | | | | | | | | |
| 118736111/0 | 61 | 1 | p. 19 | 125110267/0 | 2 | 1 | p. 13 | 125510055/1 | 44 | 2 | p. 31 | | | | | | | | | |
| 118736111/0 | 61 | 1 | p. 21 | 125120200/0 | 25 | 2 | p. 5 | 125510056/0 | 55 | 2 | p. 31 | | | | | | | | | |
| 118737849/0 | 7 | 1 | p. 21 | 125120200/0 | 25 | 2 | p. 7 | 125510069/1 | 38 | 2 | p. 31 | | | | | | | | | |
| 118737849/0 | 7 | 1 | p. 23 | 125122200/2 | 62 | 4 | p. 11 | 125510070/0 | 60 | 2 | p. 33 | | | | | | | | | |
| 118737860/0 | 92 | 2 | p. 5 | 125140092/0 | 72 | 1 | p. 51 | 125510077/0 | 74 | 1 | p. 51 | | | | | | | | | |
| 118737860/0 | 92 | 2 | p. 7 | 125160002/0 | 36 | 1 | p. 35 | 125510079/1 | 13 | 2 | p. 5 | | | | | | | | | |
| 118738234/0 | 24 | 1 | p. 21 | 125160003/0 | 13 | 4 | p. 35 | 125510079/1 | 13 | 2 | p. 7 | | | | | | | | | |
| 118738234/0 | 24 | 1 | p. 23 | 125160021/0 | 4 | 1 | p. 25 | 125510080/1 | 13 | 1 | p. 41 | | | | | | | | | |
| 118738235/0 | 25 | 1 | p. 21 | 125160023/0 | 76 | 2 | p. 27 | 125510080/1 | 13 | 1 | p. 43 | | | | | | | | | |
| 118738235/0 | 25 | 1 | p. 23 | 125160024/2 | 34 | 1 | p. 25 | 125510083/0 | 46 | 1 | p. 43 | | | | | | | | | |
| 118738236/0 | 24 | 1 | p. 19 | 125160025/0 | 9 | 1 | p. 29 | 125510083/0 | 52 | 1 | p. 43 | | | | | | | | | |
| 118738237/0 | 25 | 1 | p. 19 | 125160030/2 | 32 | 2 | p. 25 | 125510085/1 | 18 | 1 | p. 15 | | | | | | | | | |
| 119035000/0 | 2 | 2 | p. 39 | 125160054/0 | 8 | 1 | p. 25 | 125510085/1 | 22 | 1 | p. 15 | | | | | | | | | |
| 119035000/0 | 3 | 2 | p. 37 | 125160060/0 | 25 | 1 | p. 25 | 125510117/0 | 21 | 1 | p. 29 | | | | | | | | | |
| 119216032/0 | 13 | 4 | p. 37 | 125160063/0 | 37 | 1 | p. 9 | 125510117/0 | 63 | 1 | p. 33 | | | | | | | | | |
| 119216047/0 | 21 | 1 | p. 9 | 125160079/0 | 42 | 1 | p. 35 | 125510118/0 | 46 | 2 | p. 51 | | | | | | | | | |
| 119216048/0 | 6 | 2 | p. 35 | 125253004/0 | 79 | 2 | p. 51 | 125510121/0 | 32 | 4 | p. 37 | | | | | | | | | |
| 119410605/1 | 32 | 1 | p. 47 | 125260000/0 | 27 | 2 | p. 5 | 125520009/0 | 4 | 1 | p. 31 | | | | | | | | | |
| 119410609/0 | 46 | 1 | p. 47 | 125260000/0 | 27 | 2 | p. 7 | 125570006/1 | 3 | 1 | p. 9 | | | | | | | | | |
| | | | | 125290002/0 | 45 | 1 | p. 19 | 125580020/2 | 52 | 1 | p. 5 | | | | | | | | | |
| | | | | 125290002/0 | 45 | 1 | p. 21 | 125580020/2 | 52 | 1 | p. 7 | | | | | | | | | |

| code | pos. | q.ty | page | | | | | | | | | |
|-------------|------|------|-------|-------------|----|---|-------|-------------|----|---|-------|--|
| 125580031/0 | 53 | 1 | p. 25 | 182040073/0 | 41 | 1 | p. 47 | 325280000/1 | 77 | 1 | p. 51 | |
| 125590012/0 | 64 | 2 | p. 11 | 182040205/0 | 11 | 1 | p. 47 | 325318109/1 | 13 | 1 | p. 53 | |
| 125590013/0 | 73 | 2 | p. 27 | 182040209/0 | 11 | 1 | p. 47 | 325318109/1 | 13 | 1 | p. 55 | |
| 125598050/0 | 6 | 1 | p. 21 | 182105945/0 | 84 | 1 | p. 41 | 325318109/1 | 13 | 1 | p. 57 | |
| 125598050/0 | 6 | 1 | p. 23 | 182105945/0 | 84 | 1 | p. 45 | 325318119/0 | 37 | 1 | p. 35 | |
| 125600041/0 | 21 | 1 | p. 41 | 182180090/0 | 19 | 1 | p. 47 | 325318153/1 | 49 | 2 | p. 31 | |
| 125600041/0 | 21 | 1 | p. 43 | 182180091/0 | 19 | 1 | p. 47 | 325318161/0 | 34 | 2 | p. 31 | |
| 125600042/0 | 22 | 1 | p. 41 | 182700004/0 | 31 | 4 | p. 37 | 325318223/0 | 51 | 2 | p. 31 | |
| 125600042/0 | 22 | 1 | p. 43 | 182750009/0 | 21 | 1 | p. 19 | 325318303/0 | 13 | 1 | p. 59 | |
| 125600048/0 | 27 | 1 | p. 41 | 182750009/0 | 21 | 1 | p. 21 | 325318327/0 | 26 | 1 | p. 53 | |
| 125600048/0 | 27 | 1 | p. 43 | 182750009/0 | 21 | 1 | p. 23 | 325318327/0 | 26 | 1 | p. 55 | |
| 125601549/0 | 32 | 1 | p. 35 | 182774225/1 | 2 | 2 | p. 41 | 325318327/0 | 26 | 1 | p. 57 | |
| 125601554/0 | 17 | 2 | p. 25 | 322394505/0 | 24 | 1 | p. 59 | 325318327/0 | 26 | 1 | p. 59 | |
| 125601561/0 | 5 | 2 | p. 35 | 322672151/0 | 5 | 1 | p. 31 | 325394009/0 | 78 | 1 | p. 5 | |
| 125601562/0 | 21 | 2 | p. 35 | 322672152/0 | 68 | 1 | p. 15 | 325394009/0 | 78 | 1 | p. 7 | |
| 125601580/0 | 3 | 1 | p. 25 | 322672153/0 | 10 | 1 | p. 29 | 325394019/0 | 73 | 1 | p. 51 | |
| 125605000/1 | 14 | 1 | p. 29 | 325022000/1 | 65 | 1 | p. 15 | 325394530/0 | 8 | 1 | p. 31 | |
| 125670005/1 | 65 | 2 | p. 11 | 325031501/0 | 4 | 1 | p. 47 | 325410878/0 | 5 | 1 | p. 5 | |
| 125670005/1 | 77 | 2 | p. 27 | 325033077/0 | 20 | 1 | p. 29 | 325410881/0 | 17 | 1 | p. 7 | |
| 125670007/0 | 24 | 1 | p. 35 | 325034003/0 | 14 | 4 | p. 15 | 325410882/0 | 18 | 1 | p. 7 | |
| 125670007/0 | 34 | 1 | p. 35 | 325034003/0 | 16 | 4 | p. 31 | 325430255/0 | 53 | 1 | p. 3 | |
| 125690001/0 | 62 | 2 | p. 43 | 325038004/0 | 1 | 2 | p. 9 | 325430267/0 | 10 | 1 | p. 31 | |
| 125722459/0 | 17 | 1 | p. 53 | 325038004/0 | 6 | 2 | p. 9 | 325470901/1 | 16 | 1 | p. 29 | |
| 125722471/0 | 17 | 1 | p. 57 | 325060037/0 | 7 | 1 | p. 31 | 325487000/0 | 8 | 1 | p. 9 | |
| 125722476/0 | 17 | 1 | p. 55 | 325060049/0 | 2 | 1 | p. 53 | 325500046/0 | 11 | 1 | p. 3 | |
| 125722479/0 | 22 | 1 | p. 59 | 325060049/0 | 2 | 1 | p. 55 | 325500047/0 | 12 | 1 | p. 3 | |
| 125840011/1 | 78 | 1 | p. 51 | 325060049/0 | 2 | 1 | p. 57 | 325547081/2 | 3 | 1 | p. 13 | |
| 125840030/0 | 14 | 1 | p. 25 | 325060049/0 | 2 | 1 | p. 59 | 325547131/0 | 74 | 1 | p. 41 | |
| 125869029/1 | 80 | 1 | p. 41 | 325060050/0 | 36 | 1 | p. 15 | 325547131/0 | 74 | 1 | p. 43 | |
| 125869029/1 | 80 | 1 | p. 45 | 325060152/0 | 11 | 1 | p. 39 | 325547133/1 | 7 | 1 | p. 15 | |
| 125943001/1 | 48 | 2 | p. 3 | 325060153/0 | 12 | 1 | p. 39 | 325547159/1 | 11 | 2 | p. 5 | |
| 125943005/0 | 19 | 1 | p. 31 | 325076871/0 | 1 | 1 | p. 5 | 325547159/1 | 11 | 2 | p. 7 | |
| 125943012/0 | 55 | 2 | p. 23 | 325076871/0 | 1 | 1 | p. 7 | 325547207/0 | 17 | 1 | p. 15 | |
| 125950000/0 | 63 | 2 | p. 11 | 325076877/0 | 6 | 1 | p. 5 | 325547229/0 | 52 | 1 | p. 25 | |
| 125950000/0 | 72 | 2 | p. 27 | 325076877/0 | 6 | 1 | p. 7 | 325547281/1 | 10 | 1 | p. 13 | |
| 125961214/1 | 21 | 1 | p. 53 | 325108031/0 | 8 | 1 | p. 5 | 325580500/0 | 22 | 1 | p. 53 | |
| 125961214/1 | 21 | 1 | p. 55 | 325108031/0 | 8 | 1 | p. 7 | 325580500/0 | 22 | 1 | p. 55 | |
| 125961217/1 | 21 | 1 | p. 57 | 325109744/0 | 53 | 1 | p. 5 | 325580505/0 | 22 | 1 | p. 57 | |
| 127430571/0 | 16 | 1 | p. 41 | 325109744/0 | 53 | 1 | p. 7 | 325580508/0 | 20 | 1 | p. 59 | |
| 127430579/0 | 16 | 1 | p. 43 | 325109752/0 | 55 | 1 | p. 5 | 325592000/0 | 52 | 1 | p. 19 | |
| 127510111/0 | 54 | 1 | p. 25 | 325109752/0 | 55 | 1 | p. 7 | 325592000/0 | 52 | 1 | p. 23 | |
| 133215000/0 | 9 | 2 | p. 47 | 325109753/0 | 54 | 1 | p. 5 | 325592001/0 | 33 | 1 | p. 13 | |
| 133215000/0 | 9 | 3 | p. 47 | 325109753/0 | 54 | 1 | p. 7 | 325592002/0 | 34 | 1 | p. 13 | |
| 133320504/0 | 52 | 1 | p. 47 | 325110274/0 | 12 | 1 | p. 15 | 325600060/0 | 49 | 1 | p. 43 | |
| 133320506/0 | 51 | 5 | p. 47 | 325110275/0 | 2 | 1 | p. 15 | 325600086/0 | 46 | 1 | p. 19 | |
| 133340035/0 | 8 | 1 | p. 47 | 325110302/0 | 71 | 1 | p. 5 | 325600086/0 | 46 | 1 | p. 21 | |
| 133340036/0 | 8 | 1 | p. 47 | 325110302/0 | 71 | 1 | p. 7 | 325600086/0 | 46 | 1 | p. 23 | |
| 133340040/0 | 8 | 1 | p. 47 | 325110386/0 | 51 | 1 | p. 5 | 325601570/1 | 30 | 2 | p. 25 | |
| 133500007/0 | 10 | 2 | p. 47 | 325110386/0 | 51 | 1 | p. 7 | 325601584/1 | 24 | 1 | p. 25 | |
| 133500007/0 | 10 | 3 | p. 47 | 325120232/0 | 85 | 1 | p. 45 | 325601599/0 | 20 | 1 | p. 25 | |
| 133567000/0 | 61 | 1 | p. 23 | 325120250/0 | 23 | 1 | p. 5 | 325601599/0 | 41 | 1 | p. 35 | |
| 135062002/1 | 7 | 1 | p. 25 | 325120250/0 | 23 | 1 | p. 7 | 325605002/0 | 73 | 1 | p. 15 | |
| 135062812/0 | 46 | 1 | p. 35 | 325120251/0 | 23 | 1 | p. 5 | 325605003/0 | 16 | 1 | p. 5 | |
| 135065601/0 | 26 | 1 | p. 35 | 325120251/0 | 23 | 1 | p. 7 | 325605003/0 | 19 | 1 | p. 7 | |
| 182000213/0 | 51 | 1 | p. 21 | 325120255/0 | 23 | 1 | p. 5 | 325650037/0 | 9 | 1 | p. 35 | |
| 182000218/0 | 51 | 1 | p. 19 | 325120255/0 | 23 | 1 | p. 7 | 325650067/0 | 45 | 1 | p. 3 | |
| 182000220/0 | 51 | 1 | p. 23 | 325120256/0 | 23 | 1 | p. 5 | 325650159/0 | 86 | 1 | p. 41 | |
| 182000600/0 | 61 | 2 | p. 11 | 325120256/0 | 23 | 1 | p. 7 | 325650159/0 | 86 | 1 | p. 45 | |
| 182000602/0 | 71 | 2 | p. 27 | 325160501/0 | 14 | 2 | p. 37 | 325670008/1 | 41 | 4 | p. 31 | |
| 182004342/0 | 42 | 1 | p. 37 | 325207184/0 | 58 | 1 | p. 5 | 325670008/1 | 56 | 4 | p. 31 | |
| 182004343/0 | 41 | 1 | p. 37 | 325207184/0 | 58 | 1 | p. 7 | 325670011/0 | 12 | 2 | p. 25 | |
| 182004349/0 | 21 | 1 | p. 37 | 325207185/0 | 34 | 1 | p. 5 | 325670011/0 | 19 | 2 | p. 15 | |
| 182004350/0 | 20 | 1 | p. 37 | 325207185/0 | 34 | 1 | p. 7 | 325670011/0 | 22 | 1 | p. 29 | |
| 182004609/0 | 47 | 1 | p. 35 | 325253009/0 | 25 | 1 | p. 13 | 325670011/0 | 23 | 2 | p. 15 | |
| | | | | 325256250/0 | 17 | 1 | p. 5 | 325670011/0 | 27 | 1 | p. 13 | |
| | | | | 325256250/0 | 20 | 1 | p. 7 | 325670011/0 | 53 | 4 | p. 31 | |

| code | pos. | q.ty | page | | | | | | | | | |
|-------------|------|------|-------|-------------|----|---|-------|-------------|----|---|-------|--|
| 325670011/0 | 65 | 2 | p. 33 | 382000554/2 | 5 | 1 | p. 13 | 382785209/0 | 9 | 1 | p. 9 | |
| 325670025/0 | 74 | 2 | p. 27 | 382000559/1 | 4 | 1 | p. 15 | 382785247/1 | 1 | 1 | p. 3 | |
| 325735125/0 | 41 | 1 | p. 21 | 382000612/0 | 31 | 1 | p. 15 | 382800089/1 | 72 | 1 | p. 41 | |
| 325735125/2 | 41 | 1 | p. 19 | 382000615/0 | 14 | 1 | p. 31 | 382800089/1 | 72 | 1 | p. 43 | |
| 325735125/2 | 41 | 1 | p. 23 | 382000617/2 | 11 | 1 | p. 15 | 382800123/1 | 71 | 1 | p. 41 | |
| 325735521/0 | 4 | 1 | p. 29 | 382000622/0 | 29 | 1 | p. 9 | 382800123/1 | 71 | 1 | p. 43 | |
| 325737002/0 | 51 | 2 | p. 3 | 382000624/0 | 31 | 1 | p. 9 | 382820015/0 | 50 | 1 | p. 11 | |
| 325755025/2 | 52 | 1 | p. 3 | 382033113/0 | 41 | 1 | p. 51 | 382869039/0 | 91 | 1 | p. 5 | |
| 325755031/1 | 12 | 1 | p. 41 | 382034031/0 | 31 | 1 | p. 11 | 382869039/0 | 91 | 1 | p. 7 | |
| 325755031/1 | 12 | 1 | p. 43 | 382108019/0 | 9 | 1 | p. 39 | | | | | |
| 325755071/0 | 39 | 1 | p. 15 | 382110255/0 | 72 | 1 | p. 5 | | | | | |
| 325774267/0 | 13 | 2 | p. 39 | 382110255/0 | 72 | 1 | p. 7 | | | | | |
| 325774273/1 | 16 | 2 | p. 3 | 382110259/0 | 74 | 1 | p. 5 | | | | | |
| 325774301/2 | 9 | 1 | p. 5 | 382110259/0 | 74 | 1 | p. 7 | | | | | |
| 325774301/2 | 9 | 1 | p. 7 | 382180116/0 | 91 | 1 | p. 41 | | | | | |
| 325774317/0 | 42 | 2 | p. 43 | 382180117/0 | 91 | 1 | p. 45 | | | | | |
| 325774373/0 | 10 | 2 | p. 39 | 382190000/1 | 38 | 2 | p. 11 | | | | | |
| 325774393/0 | 32 | 1 | p. 9 | 382207200/1 | 8 | 1 | p. 37 | | | | | |
| 325774417/0 | 11 | 1 | p. 41 | 382207201/2 | 9 | 1 | p. 37 | | | | | |
| 325774417/0 | 11 | 1 | p. 43 | 382230367/1 | 42 | 1 | p. 11 | | | | | |
| 325774421/0 | 16 | 1 | p. 39 | 382230367/1 | 43 | 1 | p. 11 | | | | | |
| 325774423/0 | 14 | 2 | p. 39 | 382318159/0 | 31 | 1 | p. 31 | | | | | |
| 325774425/0 | 15 | 1 | p. 39 | 382318161/0 | 32 | 1 | p. 31 | | | | | |
| 325774453/0 | 20 | 1 | p. 9 | 382318241/0 | 11 | 1 | p. 29 | | | | | |
| 325774477/0 | 61 | 1 | p. 15 | 382318251/0 | 6 | 1 | p. 25 | | | | | |
| 325774491/1 | 30 | 1 | p. 9 | 382394618/0 | 4 | 1 | p. 5 | | | | | |
| 325774575/0 | 25 | 1 | p. 53 | 382394620/0 | 2 | 1 | p. 5 | | | | | |
| 325774575/0 | 25 | 1 | p. 55 | 382394620/0 | 2 | 1 | p. 7 | | | | | |
| 325774575/0 | 25 | 1 | p. 57 | 382394621/0 | 3 | 1 | p. 5 | | | | | |
| 325774575/0 | 25 | 1 | p. 59 | 382394621/0 | 3 | 1 | p. 7 | | | | | |
| 325785133/5 | 42 | 1 | p. 3 | 382394628/0 | 16 | 1 | p. 7 | | | | | |
| 325785137/1 | 1 | 1 | p. 29 | 382394853/0 | 45 | 1 | p. 47 | | | | | |
| 325785143/1 | 21 | 1 | p. 13 | 382400003/1 | 2 | 1 | p. 51 | | | | | |
| 325785147/2 | 12 | 1 | p. 53 | 382500041/0 | 1 | 1 | p. 13 | | | | | |
| 325785147/2 | 12 | 1 | p. 55 | 382500045/0 | 1 | 1 | p. 15 | | | | | |
| 325785147/2 | 12 | 1 | p. 57 | 382543052/0 | 2 | 1 | p. 9 | | | | | |
| 325785147/2 | 12 | 1 | p. 59 | 382543053/0 | 2 | 1 | p. 9 | | | | | |
| 325785149/3 | 1 | 1 | p. 53 | 382547005/1 | 1 | 1 | p. 35 | | | | | |
| 325785149/3 | 1 | 1 | p. 55 | 382547051/0 | 1 | 1 | p. 41 | | | | | |
| 325785149/3 | 1 | 1 | p. 57 | 382547053/0 | 1 | 1 | p. 43 | | | | | |
| 325785149/3 | 1 | 1 | p. 59 | 382564213/0 | 1 | 1 | p. 37 | | | | | |
| 325785197/0 | 48 | 1 | p. 43 | 382564214/0 | 1 | 1 | p. 37 | | | | | |
| 325785228/1 | 21 | 1 | p. 5 | 382564215/0 | 1 | 1 | p. 37 | | | | | |
| 325785228/1 | 21 | 1 | p. 7 | 382564220/0 | 1 | 1 | p. 37 | | | | | |
| 325785272/0 | 26 | 1 | p. 41 | 382598043/1 | 31 | 1 | p. 21 | | | | | |
| 325785272/0 | 26 | 1 | p. 43 | 382598043/1 | 31 | 1 | p. 23 | | | | | |
| 325785354/0 | 13 | 4 | p. 15 | 382598043/2 | 31 | 1 | p. 19 | | | | | |
| 325785354/0 | 17 | 2 | p. 31 | 382650039/0 | 75 | 1 | p. 41 | | | | | |
| 325785355/0 | 15 | 2 | p. 31 | 382650039/0 | 75 | 1 | p. 45 | | | | | |
| 325785479/0 | 40 | 1 | p. 15 | 382650043/0 | 75 | 1 | p. 41 | | | | | |
| 325795003/0 | 42 | 1 | p. 19 | 382650043/0 | 75 | 1 | p. 45 | | | | | |
| 325795003/0 | 42 | 1 | p. 21 | 382650209/0 | 54 | 1 | p. 43 | | | | | |
| 325795003/0 | 42 | 1 | p. 23 | 382722433/0 | 1 | 1 | p. 47 | | | | | |
| 325800031/0 | 73 | 1 | p. 41 | 382722434/0 | 1 | 1 | p. 47 | | | | | |
| 325800031/0 | 73 | 1 | p. 43 | 382735523/0 | 19 | 1 | p. 9 | | | | | |
| 325869016/1 | 1 | 1 | p. 19 | 382774207/0 | 61 | 1 | p. 3 | | | | | |
| 325869043/0 | 3 | 1 | p. 51 | 382774245/0 | 2 | 2 | p. 43 | | | | | |
| 325869057/0 | 1 | 1 | p. 21 | 382774265/0 | 42 | 1 | p. 51 | | | | | |
| 325869057/0 | 1 | 1 | p. 23 | 382774267/0 | 43 | 1 | p. 51 | | | | | |
| 325869079/0 | 31 | 2 | p. 51 | 382785021/8 | 6 | 1 | p. 3 | | | | | |
| 325869085/0 | 41 | 1 | p. 3 | 382785022/9 | 5 | 1 | p. 3 | | | | | |
| 325961222/1 | 21 | 1 | p. 59 | 382785084/1 | 4 | 1 | p. 35 | | | | | |
| 382000477/2 | 43 | 2 | p. 31 | 382785147/0 | 61 | 2 | p. 43 | | | | | |
| 382000551/0 | 7 | 1 | p. 29 | 382785175/0 | 44 | 1 | p. 25 | | | | | |
| | | | | 382785181/1 | 1 | 1 | p. 31 | | | | | |
| | | | | 382785207/0 | 17 | 1 | p. 9 | | | | | |